

Japanese Amateur Radio License

Class (資格)	Examination (資格試験) as of 1960s I took		Telegram (Morse code transmit & receive) 電信 (モールス・コード 送受信)	
	Radio Engineering (無線工学)	Regulations (無線法規)	English (英文)	Japanese (日本語)
			Fastest speed	
First (第一級)	Highest level (difficult to pass)		Medium speed	None
Second (第二級)	Medium level		Slowest speed	
Telegram (電信級)	Low level (easy to pass)		None	
Telephone (電話級)			None	

合格証書 A第 8号
小口 哲司

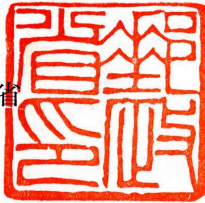
あなたは、次の無線従事者国家試験に合格したことを証します。

昭和 42年 11月 30日

郵 政 省

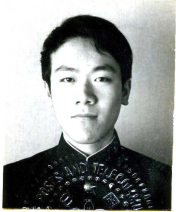
1 資格 第一級アマチュア無線技士
2 施行月 昭和 42年 10月
3 合格年月日 昭和 42年 11月 30日

備考
1 この合格証書によって、無線局の無線設備の操作に従事することはできません。
2 無線従事者の免許の申請は、合格の日から3箇月以内に行なわなければなりません。
3 無線従事者の免許の申請を行なうときは、表記の地方電波監理局に申請書類を提出しなければなりません。




左の者は、無線従事者国家試験及び免許規則により、左記資格の免許を与えたものであることを証明する。

昭和 42年 12月 23日



資格 第一級アマチュア無線技士
免許証の番号 ARH 第 27号
免許の年月日 昭和 42年 12月 23日
本籍の都道府県名
氏名 小口 哲司
年 月 日生

郵政大臣



First Class Amateur Radio Operator License (第一級アマチュア無線技士免許) earned in 10/1967

合格証書 A第 9号
小口 哲司


貴殿は、次の無線従事者国家試験に合格したことを証する。

昭和 41年 11月 29日

郵 政 省

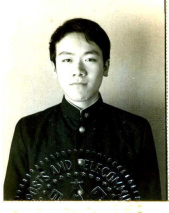
1 資格 第二級アマチュア無線技士
2 試験期 昭和 41年 11月 29日

備考
1 この合格証書によって、無線局の無線設備の操作に従事することはできない。
2 無線局の無線設備の操作に従事するには、合格の日から3箇月以内に免許を受けなければならない。
3 無線従事者の免許の申請を行なうときは、表記の地方電波監理局に申請書類を提出しなければならない。




左の者は、無線従事者国家試験及び免許規則により、左記資格の免許を与えたものであることを証明する。

昭和 42年 1月 18日



資格 第二級アマチュア無線技士
免許証の番号 AQI 第 291号
免許の年月日 昭和 42年 1月 18日
本籍の都道府県名
氏名 小口 哲司
年 月 日生

郵政大臣



Second Class Amateur Radio Operator License (第二級アマチュア無線技士免許) earned in 1/1967

合格証書

A第 329号

貴殿は、次の無線従事者国家試験に合格したことを証する。

昭和 40年 5月 24日


郵政省

- 1 資格 電信級アマチュア無線技士
- 2 試験期 40 4

備考

- 1 この合格証書によつて、無線局の無線設備の操作に従事することはできない。
- 2 無線局の無線設備の操作に従事するには、合格の日から3箇月以内に免許を受けなければならない。
- 3 無線従事者の免許の申請を行なうときは、表記の地方電波監理局に申請書類を提出しなければならない。






資格 電信級
アマチュア無線技士
免許証の番号 APL 第 281号
免許の年月日 昭和40年7月28日
本籍の都道府県名 [redacted]
氏名 小口哲司
昭和 [redacted] 年 [redacted] 月 [redacted] 日生

左の者は、無線従事者
国家試験及び免許規則に
より、左記資格の免許を
与えたものであることを
証明する。

昭和 40年 7 月 28 日

郵政大臣 

Telegram Class Amateur Radio Operator License (電信級アマチュア無線技士免許) earned in 7/1965

合格証書

A第 1728号

貴殿は、次の無線従事者国家試験に合格したことを証する。

昭和 40年 5月 24日


郵政省

- 1 資格 電話級アマチュア無線技士
- 2 試験期 40 4

備考

- 1 この合格証書によつて、無線局の無線設備の操作に従事することはできない。
- 2 無線局の無線設備の操作に従事するには、合格の日から3箇月以内に免許を受けなければならない。
- 3 無線従事者の免許の申請を行なうときは、表記の地方電波監理局に申請書類を提出しなければならない。

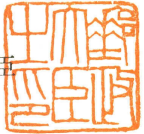




資格 電話級
アマチュア無線技士
免許証の番号 APN 第 1565号
免許の年月日 昭和40年7月28日
本籍の都道府県名 [redacted]
氏名 小口哲司
[redacted] 年 [redacted] 月 [redacted] 日生

左の者は、無線従事者
国家試験及び免許規則に
より、左記資格の免許を
与えたものであることを
証明する。

昭和 40年 7 月 28 日

郵政大臣 

Telephone Class Amateur Radio Operator License (電話級アマチュア無線技士免許) earned in 7/1965

Refer to [USA Amateur Radio License](#).

Amateur Radio Magazines

Name	Country	Publisher	Size	Pages			Issued	Price	Color	
				Total	Article	Ads			Cover	Body
QST	USA	ARRL	6½ x 9½ inch	176	124.5	51.5	April, 1965	60 ¢	Color	B/W
CQ		Cowan	16.5 x 24.1 cm	112	76.5	35.5		50 ¢		
CQ ham radio	Japan	CQ	18.0 x 25.5 cm 7.1 x 10.0 inch	222	143.5	78.5		150 yen (42 ¢)		

QST (USA) Published by The American Radio Relay League	CQ (USA) Published by Cowan Publishing Corp.	CQ ham radio (Japan) Published by CQ Publishing Co., Ltd.
<p>April 1965 60 Cents</p> <p>QST devoted entirely to amateur radio</p> <p>OSCAR IS UP! IT'S A-OKAY!</p> <p>This Month... Transceiving with the 75A-4 and HT-32</p> <p>The Radio Amateur's Journal</p> <p>PUBLISHED BY THE AMERICAN RADIO RELAY LEAGUE</p>	<p>April 1965 50¢</p> <p>CQ</p> <p>OSCAR IS UP! IT'S A-OKAY!</p> <p>This Month... Transceiving with the 75A-4 and HT-32</p> <p>The Radio Amateur's Journal</p>	<p>CQ 4 1965 ham radio</p> <p>特集 S.S.B送信機の DからAまでの巻 色別国試突破虎の巻 トントウ発振器の製作 ヒースSB200リニヤンプ ナショナルNC173R受信機 付録 日本のアワード第2集</p> <p>社団法人 日本アマチュア無線連盟監修</p>

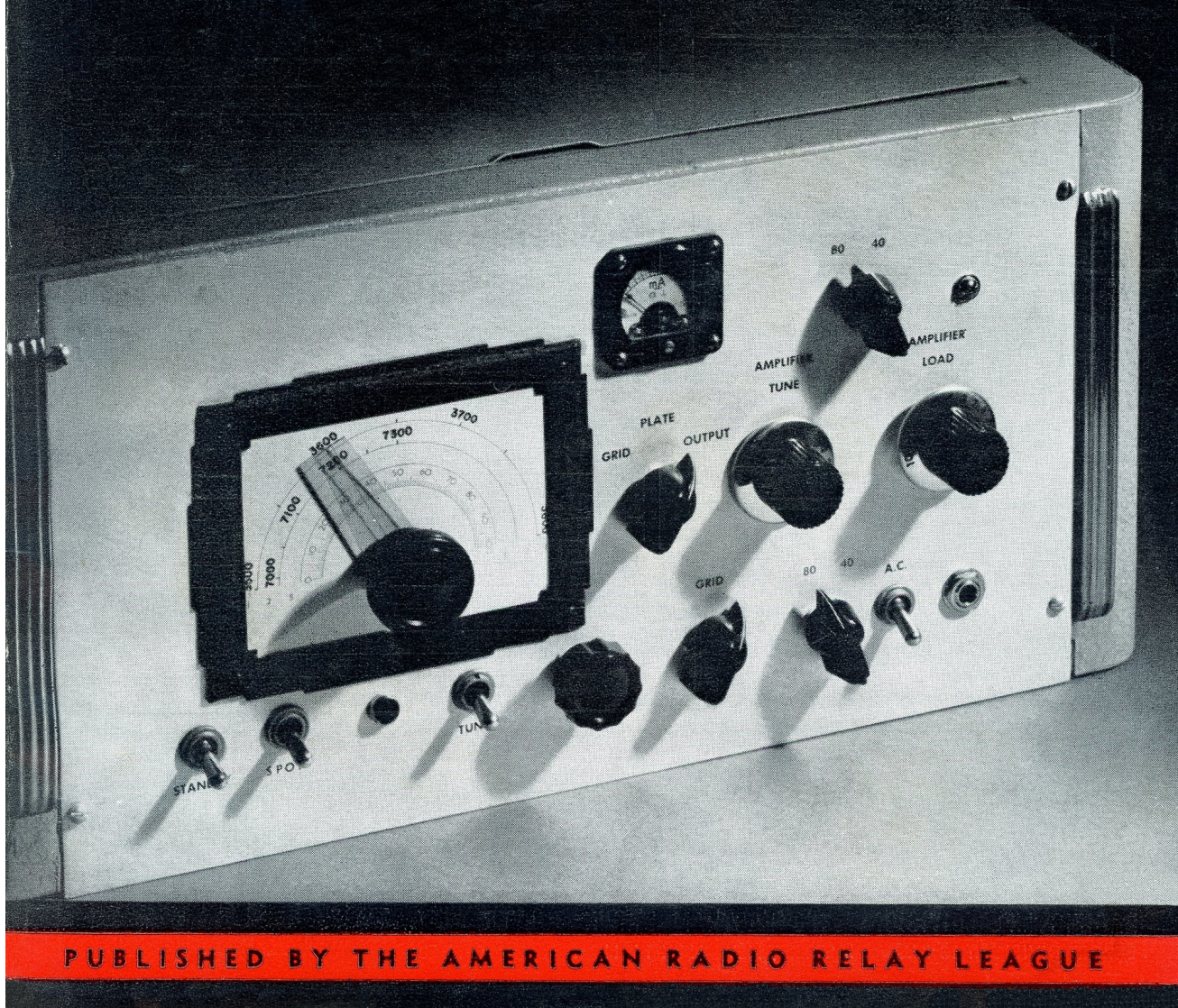
Comparison of relative physical size

April 1965
60 Cents

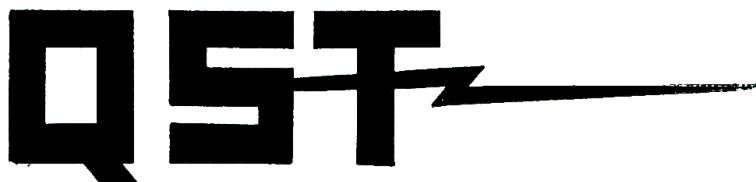
QST

devoted entirely to

amateur radio



PUBLISHED BY THE AMERICAN RADIO RELAY LEAGUE



PUBLISHED MONTHLY, AS ITS OFFICIAL ORGAN, BY THE AMERICAN RADIO RELAY LEAGUE, INC.
NEWINGTON, CONN., U. S. A.: OFFICIAL ORGAN OF THE INTERNATIONAL AMATEUR RADIO UNION

STAFF

- JOHN HUNTOON, W1LVQ
Editor
- RICHARD L. BALDWIN, W1IKE
Managing Editor
- E. LAIRD CAMPBELL, W1CUT
Assistant Managing Editor
- GEORGE GRAMMER, W1DF
Technical Editor
- DONALD H. MIX, W1TS
BYRON GOODMAN, W1DX
Assistant Technical Editors
- EDWARD P. TILTON, W1HDQ
V.H.F. Editor
- LEWIS G. McCOY, W1ICP
E. LAIRD CAMPBELL, W1CUT
DOUGLAS A. BLAKESLEE, W1KLLK
Technical Assistants
- ROD NEWKIRK, W9BRD
SAM HARRIS, W1FZJ
HELEN HARRIS, W1HOY
JEAN PEACOR, K1IJV
JOHN TROSTER, W6ISQ
Contributing Editors
- MARJORIE R. BREWER
Editorial Assistant
-
- LORENTZ A. MORROW, W1VG
Advertising Manager
- EDGAR D. COLLINS
Advertising Assistant
-
- DAVID H. HOUGHTON
Circulation Manager
- J. A. MOSKEY, W1JMY
Assistant Circulation Manager

OFFICES

225 Main Street
Newington, Connecticut 06111
TEL: 666-1541
Area Code 203

Subscription rate in United States and Possessions, \$6.00 per year, postpaid; \$6.50 in Canada, \$7.00 in all other countries. Single copies, 60 cents. Foreign remittances should be by international postal or express money order or bank draft negotiable in the U. S. and for an equivalent amount in U. S. funds.

Second-class postage paid at Hartford, Conn. and at additional mailing offices.

Copyright 1965 by the American Radio Relay League, Inc. Title registered at U.S. Patent Office. International copyright secured. All rights reserved. *Quedan reservados todos los derechos* Printed in U.S.A.

INDEXED BY
Applied Science and Technology
Index
Library of Congress Catalog
Card No.: 21-9421

— CONTENTS —

TECHNICAL —

- 100 Watts on 6 Meters....*Francis M. Yancy, W8DRU* 12
- Calibrating the LM Frequency Meter
Gilbert L. Countryman, W4JA 18
- Meter Magic.....*Paul H. Harbach, K3HRZ* 21
- The Desk-n-Door Console.....*Tom McKenna, K7DPO* 32
- Increased Selectivity for 3-kc.-Bandwidth Receivers
Don M. Wherry, W6EUM 41
- Over-All Design Considerations for RTTY Demodulators
Irvin M. Hoff, K8DKC 44
- Some Notes on Ground Systems for 160 Meters..... 65
- Some HW-12 Modifications.....*Alan Biggs, W3ZP* 71
- New Apparatus.....20, 51, 53
- Recent Equipment:
The Clegg 22'er..... 38
- Technical Correspondence..... 51
- Technical Topics..... 82

BEGINNER AND NOVICE —

- 35-Watts Input, 80 and 40, Crystal or VFO
Lewis G. McCoy, W1ICP 58

OPERATING —

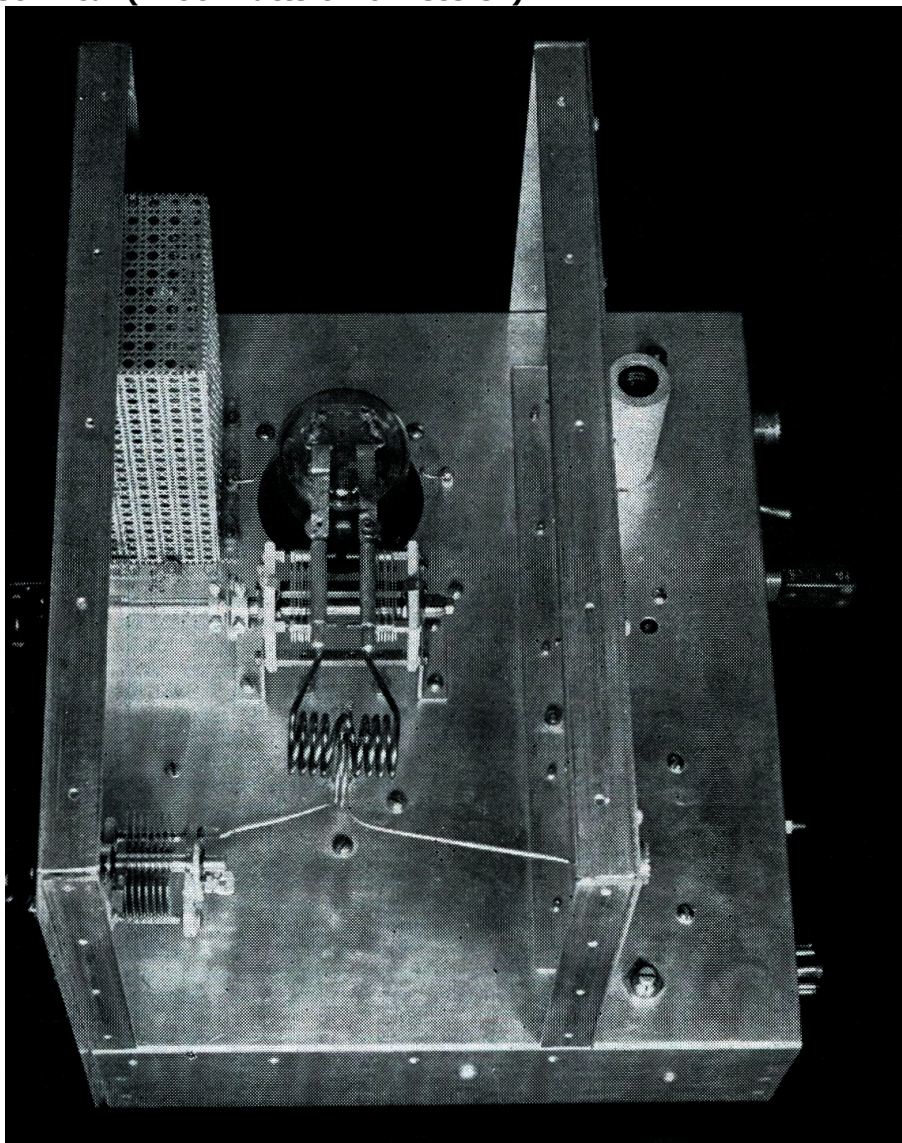
- Effective Spectrum Use..... 17
- Public Service Through Civil Defense Communications
Garland E. White, W4THM 28
- Dominican Republic Reciprocity..... 75
- What Price BPL..... 76

GENERAL —

- Vacuum Tubes The Hard Way
Sam Diaz Pumara, ex-LU2DII 23
- New Distance Record on the 21,000-Mc. Band
A. Harry Sharbaugh, W2UKL 26
- What ARRL Means to Me....*George Hatherell, K6LK* 49
- Your Code is Showing.....*J. T. Martin, K4RVG* 50
- "Nothin' On".....*John G. Troster, W6ISQ* 67
- 4U1ITU Calling.....*Werner Wolter, DL1YJ* 68
- Amateur Radio Needs Public Relations!
Mel Snyder, K3AFW/9 74
- The Death — or Survival — of Amateur Radio
Stuart D. Cowan, W1RST 80
- More Commemorative Stamp Coverage..... 85
- Fifty Years of ARRL..... 87
- Oscar III — Data Reporting Form..... 94

- ARPSA..... 76 "It Seems to Us . . ."..... 9
- ARRL QSL Bureau..... 31 New Books..... 40
- Coming Conventions..... 10 Operating News..... 100
- Correspondence From Members 54 Operator of the Month..... 11
- Feedback.....70, 84, 162 Our Cover..... 58
- Hamfest Calendar..... 11 Silent Keys..... 154
- Happenings of the Month..... 34 Station Activities..... 105
- Hints & Kinks..... 33 World Above 50 Mc..... 90
- How's DX?..... 95 YL News and Views..... 88
- Index to Advertisers..... 174 25 Years Ago in QST..... 57

(c) Technical ("100 Watts on 6 Meters")



Top view of the 100-watt 6-meter transmitter. The final-amplifier tube and output circuit are to the left. The perforated metal shields the meter and its connecting leads. Behind the baffle shield, on which the output connector is mounted, are the 5763, the adjusting screw of L_2 (partially visible behind the 5763), and shaft of C_{12} (bottom). The v.f.o. input connector J_1 , crystal socket, S_1 , and power connector are mounted in the rear edge of the chassis

100 Watts on 6 Meters

A Three-Stage Transmitter of Simple Design

BY FRANCIS M. YANCEY,* W8DRU

SEVERAL hundred 6-meter stations have been worked from the ham shack on Freezeland Mountain. A good percentage of operators of these stations say they have no intention of ever operating on any frequency below 50 Mc. It is surprising, therefore, to find that many of these 6-meter operators who never intend to operate on any lower band are using transmitters that cover 80 through 6 meters. Not so surprising are the complaints most of these operators have against their transmitters: insufficient grid drive, tube plates red hot, the low-band coil assembly hot (probably self-resonant at 50 Mc.), plate current creeping (final needs to be retuned every minute or two), TVI (attributable to the transmitter), parasitic suppressors burning up, and low r.f. output. These transmitters do a good job on the low bands, and they are adequate for

* Box 398, Hinton, West Virginia.

The construction of this unit requires no special or hard-to-get components. In fact, most of the items needed are the sort commonly listed in surplus and bargain sheets.

the low-band operator who wants to get on 6 for an occasional local rag chew. As a general rule, however, they are not efficient enough for the serious 6-meter operator.

By using some ingenuity and a little effort accompanied by a whole lot of pride, a ham can come up with a nice-looking 6-meter transmitter that has none of the bad points listed above. By careful shopping for parts, it can provide more power output and yet be more economical

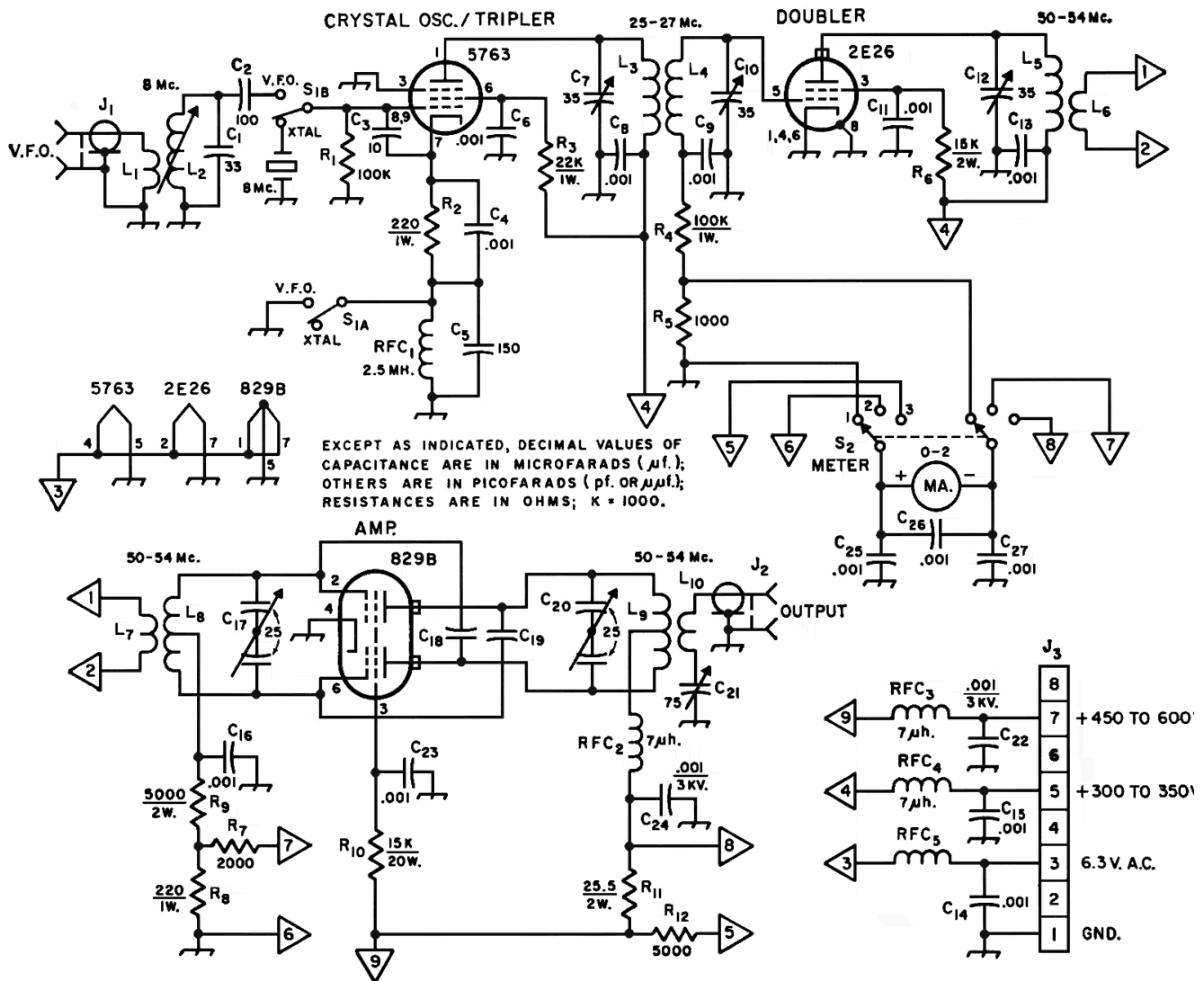


Fig. 1—Circuit of the 100-watt 6-meter transmitter. Fixed capacitors of decimal value are disk ceramic (1000-volt if not specified); others are mica. Unless indicated, resistors are 1/2-watt composition. Component designations not listed below are for text-reference purposes.

- C₇, C₁₀—APC-type air trimmer.
- C₁₂—Midget variable (Hammarlund MC-35-S or similar).
- C₁₇, C₂₀—Dual-section variable, 25 pf. per section (Johnson 167-51 or similar).
- C₂₁—Midget variable (Hammarlund MC-75-S or similar).
- J₁, J₂—Chassis-mounting coaxial receptacle.
- J₃—Octal chassis-mounting plug.
- L₁—1 turn hookup wire over ground end of L₂.
- L₂—23 turns No. 28 enameled, close-wound on 1/2-inch iron-slug form (National XR-50 form, or similar).
- L₃, L₄—12 turns No. 20, 3/8-inch diam., 16 turns per inch (B & W) 3007 Miniductor, or Illuminetics 516T AirDux). See text for construction.
- L₅—10 turns No. 10 wound on 1/2-inch ceramic pillar, turns spaced to make coil length 1 1/2 inches.
- L₆—2 turns hookup wire interwound at low-potential end of L₅.
- L₇—1 turn No. 12, 1-inch diam. See text for mounting.
- L₈—6 turns No. 12, 1-inch diam., 1 inch long, space at center for L₇.
- L₉—8 turns No. 10, 3/4-inch diam., 1 1/2 inches long, space at center for L₁₀.
- L₁₀—2 turns No. 12, 3/4-inch diameter.
- R₇, R₈, R₁₂—5-per-cent tolerance.
- R₁₁—Two 5-per-cent 51-ohm 1-watt resistors in parallel.
- RFC₁—Standoff type (National R-300S or similar).
- RFC₂, RFC₃, RFC₄—V.h.f. choke (Ohmite Z-50).
- RFC₅—25 turns hookup wire, 1/4-inch diam., self-supporting.
- S₁—D.p.d.t. toggle switch.
- S₂—Double-pole three-position rotary switch.

than many of the all-band kits.

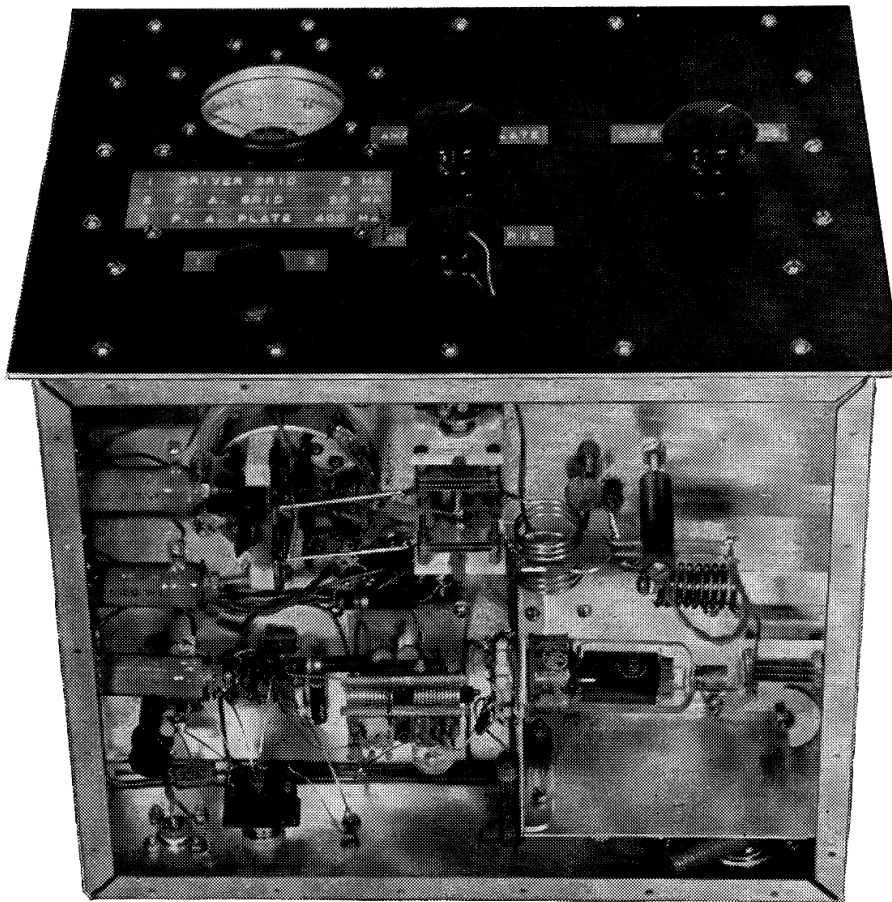
It is good practice to build power supplies, modulators and r.f. units as separate assemblies. Each section is then readily available for use with other units. This article covers the construction of a 6-meter r.f. unit. Excellent companion units have been covered by WIICP.¹

¹ McCoy, "Plate Modulation for the TV-Set/Surplus Transmitter," *QST*, July, 1961.

McCoy, "Surplus Tubes and an Old TV Set = 150 Watt Amplifier," *QST*, April, 1961.

Circuit Details

The oscillator-tripler circuit (see Fig. 1) will be recognized as one which has appeared in the *ARRL Handbook* for the past several years. With an 8-Mc. crystal plugged into the crystal socket and S₁ in the crystal position, the 5763 oscillates on 8 Mc. and triples in the plate circuit to 25 Mc. With S₁ in the v.f.o. position, RFC₁ and C₅ are shorted out, and L₁, L₂, C₁ and C₂ are switched into the circuit to match the low-impedance



This photo shows the arrangement of components on the bottom side of the 100-watt 6-meter transmitter, as well as the panel layout. L_2 and S_1 are in the lower left-hand corner. C_7 , C_{10} , L_3 and L_4 are grouped together to the right of the switch. The 2E26 is mounted horizontally from an L-shaped bracket, with its output-circuit components to the right. The final-amplifier tube socket and grid tank are at the top of the chassis. The insulating pillar in the upper right-hand corner of the chassis supports L_7 . See Fig. 3.

output of a v.f.o. If this unit is to be used with a v.f.o. having high-impedance output, L_1 , L_2 and C_1 may be omitted, and C_2 connected directly from S_1 to J_1 . In the v.f.o. position, the 5763 is a frequency multiplier, tripling the 8-Mc. output of the v.f.o. to 25 Mc. The 2E26 operates as a frequency doubler with $C_{12}L_5$ tuned to 50 Mc.

The 829B amplifier is link-coupled to the 2E26 by L_6 and L_7 , with L_8C_{17} tuned to 50 Mc. The 829B is neutralized by C_{18} and C_{19} which are actually small pieces of No. 12 wire connected to the grid pins (2 and 6) of the socket. These wires cross each other across the bottom of the socket, go through clearance holes in the chassis, and each wire is then bent to place it near the opposite plate. $C_{20}L_9$ also tune to 50 Mc., and this output circuit is link-coupled to the antenna by L_{10} . The reactance of L_{10} is tuned out by C_{21} .

Provision is made for measuring 2E26 grid current, 829B grid current and 829B plate current. Almost any low-range milliammeter can be used by proper selection of values for R_5 , R_7 , R_8 , R_{11} and R_{12} . (See measurements chapter of the *Handbook*.) The values shown were selected for use with an 0—2-ma. meter. With the meter switch in position No. 1, the full-scale reading of the meter will be 2 ma. With S_2 in position No. 2, the full-scale reading of the meter will be 20 ma. The full-scale reading will be 400 ma. when the meter switch is in the third position.

TVI Precautions

The transmitter is thoroughly shielded. There are six tuned circuits between the oscillator and the antenna when a crystal or high-impedance v.f.o. is in use, and at least two more when a low-

impedance v.f.o. is used. Each stage is inductively-coupled to the following stage with coupling as loose as possible. The output link L_{10} is tuned to the operating frequency to afford additional selectivity against unwanted frequencies. The power-lead filtering as shown on the schematic is the bare minimum. However, provisions have been made in the construction of the unit, so any amount of additional filtering found necessary can be added. These measures have been found sufficient for this location. Any additional precautions that may prove necessary at another location are fully covered in the chapter dealing with TVI in the *Handbook*.

Construction

The unit is constructed on an aluminum chassis measuring 10 by 12 by 3 inches. The front panel is made from $\frac{1}{16}$ -inch sheet aluminum and is 10 inches high by $12\frac{3}{4}$ inches wide, to allow a little overhang at each end of the chassis. The back of the amplifier compartment is also cut from $\frac{1}{16}$ -inch aluminum and is 7 inches high by 12 inches wide. The amplifier compartment is completed by using $\frac{1}{2}$ -inch angle aluminum and perforated aluminum sheet. The bottom cover is also cut from perforated aluminum. All of the cutting and most of the drilling can be completed before actual assembly is started. The panel was sprayed first with a primer coat, and then with two coats of gloss-black enamel.

The relative placement of parts can be determined by studying the photographs. The power connector, J_3 , is wired first so that power will be available to check each stage as it is finished. RFC_3 , RFC_4 , RFC_5 , C_{14} , C_{15} , and C_{22} are con-

nected to the pins of the power plug and the capacitors grounded with the shortest possible leads. The other ends of the chokes are connected to a terminal strip where power can be picked up for the various stages.

There is an L-shaped bracket directly to the front of the power plug. The short side of the L is used for mounting the socket for the 2E26 doubler. The long side of the L forms a shield to keep excessive r.f. away from the power plug. Mentioned earlier is the possibility of adding additional power-lead filtering, if found necessary. The short side of the L can be extended to the rear of the chassis. Short lengths of $\frac{1}{2}$ -inch angle can be bolted to this extension and to the long side of the L. After the bottom cover is in place, several sheet-metal screws through the bottom cover into the angle will make a completely shielded compartment. Connections for heaters and low voltage can be made by using 0.001- μ f. 500-volt ceramic feedthrough capacitors. Connections for high voltage can be made by a feedthrough bushing and a separate 0.001- μ f. 3000-volt disk ceramic bypass capacitor. Also, it may be necessary to make all power leads from shielded wire.

The 5763 stage is wired next. S_1 is mounted on the rear wall of the chassis, directly behind the 5763 tube socket. J_1 is also mounted on the rear wall of the chassis between S_1 and the corner of the chassis. The crystal socket is mounted on the opposite side of S_1 . S_1 is wired so that the handle will point toward the crystal when the crystal is in the circuit, and point toward J_1 when the v.f.o. is in the circuit. L_2 , with its associated link L_1 , is mounted near J_1 . The 5763 tube socket is mounted with a ground lug under each mounting screw. RFC_1 can be seen mounted to the left front of L_2 . A pigtail-type choke may be substituted by mounting a terminal strip at this location. C_7 and C_{10} can be almost any small variable capacitors. The ones in the photograph are mounted on a piece of ceramic; they were removed from a discarded i.f. transformer.

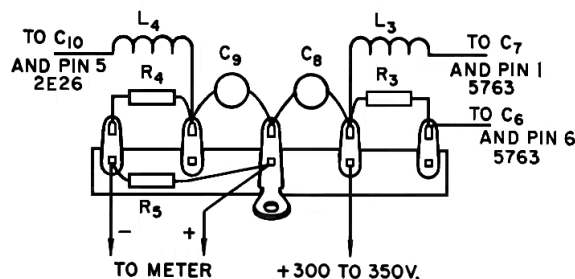


Fig. 2—Sketch illustrating mounting of L_3 , L_4 and associated components on terminal strip, as mentioned in the text.

A terminal strip having four insulated terminals and one grounded terminal is mounted under one of the capacitor mounting bolts. This strip holds C_8 , C_9 , R_3 , R_4 , R_5 , and the cold ends of L_3 and L_4 , as indicated in Fig. 2. L_3 and L_4 are made from a single length of coil stock. Five turns are removed at the center, as shown in the bottom-view photograph. The inner ends

of the two remaining coil sections are the ground ends. Turns are then removed from the outer ends of the coils to reduce the turns to the number specified for each section. The wire unwound is used as the connecting leads.

The meter and meter switch are mounted and wired next. Two small feedthrough insulators are mounted through the chassis, 1 inch apart, directly below the meter. A ground lug is bolted under the chassis between the insulators. C_{25} and C_{27} are connected to the insulator terminals and to the ground lug with short leads. C_{26} is connected across the meter terminals at the meter. Leads are run from the meter to the top of the feedthrough insulators and from the bottoms of the insulators to S_2 . Twisted leads are connected from S_2 to R_5 on the terminal strip. The rear of the meter is shielded by a rectangular cover made of perforated aluminum. This cover extends from slightly above the top of the meter to the chassis so that it encloses not only the meter but the meter leads as well. The cover has $\frac{1}{2}$ -inch lips on all open edges so that it can be fastened to both the panel and the chassis with machine screws at frequent intervals.

The 2E26 socket is mounted with ground lugs under both mounting screws. After making the necessary connections to Pins 1, 2, 4, 5, 6, 7 and 8 of this socket, it is time to check out the 5763 stage. Plug in a crystal, set S_1 to the crystal position, and plug in the 5763 and 2E26. Turn on the filaments and the two tubes should light up. After a couple of minutes, turn on the oscillator plate voltage and tune C_7 and C_{10} for maximum 2E26 grid current as shown by the meter—between 1 and $1\frac{1}{2}$ ma. If the 5763 stage was wired for use with a high-impedance v.f.o. output, it should be necessary only to connect the v.f.o. to J_1 , turn the v.f.o. on, adjust it to the same frequency as the crystal, and move S_1 to the v.f.o. position. Grid current to the 2E26 should be approximately the same as when a crystal is in use. The same procedure would be followed with low-impedance v.f.o. output, except that it would be necessary also to adjust the slug in L_2 for the desired value of 2E26 grid current (about $1\frac{1}{2}$ ma.).

The 2E26 stage is completed by wiring in C_{13} , R_6 and the plate-circuit components. A standoff insulator $\frac{1}{2}$ inch in diameter by 3 inches long, or a piece of polystyrene rod the same size, makes a convenient mounting for L_5 and L_6 . C_{12} is mounted vertically on the chassis with the shaft extending above the chassis.

Space was reserved at the bottom right-hand side of the panel for a mode switch to be added later. In the event your mode switch is included in the modulator, or if you desire a.m. operation only, it will be a simple matter to bring the shaft from C_{12} to the front panel. The capacitor can be mounted on a bracket and the bracket bolted to the chassis just to the front of L_5 . It should be positioned so that a shaft extension will come through the panel in the right place to be symmetrical with the three large knobs already on the front panel.

Details of L_7 and its mounting that permits adjustment of coupling to L_8 are shown in the sketch of Fig. 3. L_6 is made of hookup wire. The ends of this coil are twisted together, left long enough so L_7 may be adjusted, and soldered to the ends of L_7 .

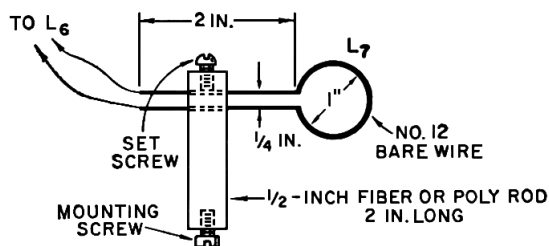


Fig. 3—Coupling link L_7 is made adjustable by mounting through an insulating rod as shown. The set screw locks the coil in the desired position.

L_8 is soldered directly to the stator terminals of C_{17} . No connection is made to the rotor of C_{17} and it is not grounded. The feedthrough insulator, which can be seen under L_8 , carries high voltage into the amplifier compartment. The disk ceramic capacitor connected between it and the chassis is C_{24} . The lead leaving the center tap of L_8 , and coming toward the front panel, goes to a terminal strip which holds R_7 , R_8 and R_9 . The 829B socket is mounted with Pin 4 (the big pin) toward C_{17} . Pin 4 is grounded to the chassis with a thin piece of copper strip $\frac{1}{4}$ inch wide. The copper strip is tinned with solder where it touches the aluminum to prevent oxidation between the two metals. C_{16} connects between the center tap of L_8 and Pin 4 on the 829B socket. C_{23} connects between Pin 3 and Pin 4. A short piece of wire connects Pins 4 and 5. The stators of C_{17} connect to Pins 2 and 6. Pins 1 and 7 are connected together and to the filament circuit. The resistors on a terminal strip near the center of the chassis are R_{11} and R_{12} . The large resistors on the right-hand wall of the chassis are each 5000 ohms, and they are connected in series to make up R_{10} . There is sufficient room for one 15,000-ohm 20-watt resistor.

The amplifier plate circuit is completed next. C_{20} is mounted on brackets to raise the stator connections even with the plate leads of the 829B. The plate connectors are connected to C_{20} with thin strips of copper $\frac{1}{4}$ inch wide. L_9 is soldered to the stator connections. No connection is made to the rotor of C_{20} and it must not be grounded. RFC_2 connects between the center tap of L_9 and the top of the feedthrough insulator which brings high voltage into the amplifier compartment. The link L_{10} connects between C_{21} and J_2 . Leave loose coupling between L_9 and L_{10} .

Adjustments

Plug in a crystal and all tubes. Set S_1 to the crystal position. Set S_2 to position No. 1. Turn on the filament supply and see that all filaments light up. Turn on the low-voltage supply just

long enough to peak C_7 and C_{10} for maximum 2E26 grid current. Move S_2 to position No. 2. Turn on the low-voltage supply and peak C_{12} and C_{17} for maximum 829B grid current. Adjust L_7 for about 12 ma. of current. In making adjustments of the link coupling, be sure to turn off the power because 300-350 volts is exposed at the 2E26 plate components.

If all of your operation is to be within a 600-kc. segment of the band, C_7 , C_{10} and C_{12} can be peaked to the center frequency and forgotten. For example, if you operate only between 50.1 and 50.7 Mc., those capacitors can be peaked at 50.4 Mc. If you operate over more of the band, it will be necessary to stagger-tune C_7 and C_{10} . Tune one a little higher than the center frequency and the other lower. Careful adjustment will result in very little variation in 2E26 grid current as frequency is changed. C_{12} will have to be retuned if frequency is changed more than 300 kc. either side of its setting.

Be sure there is no voltage on the screen or plates of the 829B. With low voltage turned on, and the meter reading 829B grid current, slowly tune C_{20} through resonance. If any dip in grid current occurs, the 829B must be neutralized. Mount a small feedthrough insulator on each side of the socket near Pins 2 and 6. Connect insulated wires to Pins 2 and 6. These wires cross each other across the bottom of the socket and connect to the insulator terminals. On top of the chassis, solder $\frac{3}{4}$ -inch lengths of No. 12 bare wire to each insulator terminal. Let each wire go straight up parallel to the plates of the tube. Now reapply excitation to the 829B, and adjust neutralization by cutting $\frac{1}{8}$ -inch lengths from the neutralizing wires until there is no noticeable change in the grid current as C_{20} is tuned through resonance.

Now connect a load to the antenna terminal of the transmitter. A 100-watt light bulb is OK. Move S_2 to position No. 3. Set C_{21} to minimum capacitance. Apply all voltages and quickly rotate C_{20} for maximum dip in plate current. Adjust C_{21} for maximum plate current. L_{10} is now tuned to the operating frequency. If everything has checked out all right so far, replace the light bulb with the antenna lead. Listen around the frequency to which the transmitter is tuned, to make sure you won't cause any QRM. Apply all voltages. Check C_{20} for maximum dip in plate current. Check C_{21} for maximum plate current. Now adjust the coupling between L_9 and L_{10} for 200 ma. of plate current. Remember, *switch to safety*; there is high voltage on L_9 . Turn off the high voltage each time you make adjustments to L_{10} . Recheck C_{20} to see if it is still tuned to maximum dip. Move S_2 to position 2 and check the 829B grid current. It should indicate 12 ma. for a plate voltage of 450 and up to 15 ma. for a plate voltage of 600. Adjust L_7 for proper current.

The bottom cover and amplifier compartment cover can be fastened in place with sheet-metal screws at approximately 2-inch intervals.

The labels were made on gold vinyl tape with a typewriter.

(d) Advertisement ("Heathkit; Brand name of electronic equipments designed by Heath Company")

HEATHKIT® *Amateur Radio Gear...*

"SINGLE-BANDER" SSB TRANSCEIVERS

HW-12
Choose 80,
40, or 20
meters

\$119⁹⁵



200 watts on the band of your choice with built-in PTT and VOX. Versatile! See line listing below for power supplies. Go mobile or fixed!

Kit HW-12 (80-meter), Kit HW-32 (20-meter), Kit HW-22 (40-meter), 16 lbs.....each **\$119.95**



BENTON HARBOR LUNCH BOXES...

HW-29A
6 & 2 Meter
Transceivers

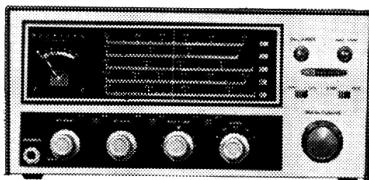
\$44⁹⁵

Take along one of these handy 5-watt rigs on your next outing. Complete for 117 v. AC operation. Use Heathkit GP-11 power supply for mobile.

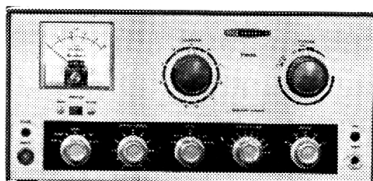
Kit HW-29A (6 meter) & HW-30 (2 meter)...each **\$44.95**

"COMBO" FOR THE NOVICE

HR-10
Receiver
\$79⁹⁵



Heathkit
DX-60A
AM/CW Transmitter
\$79⁹⁵

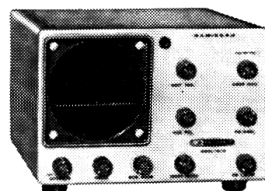


Here's inexpensive amateur radio... yet the finest quality! HR-10 provides amateur band coverage 80-10 meters with xtal filter, calibrator, BFO, and AVC. DX-60A provides 90 watts AM or CW with low harmonic output from xtal control or external VFO.

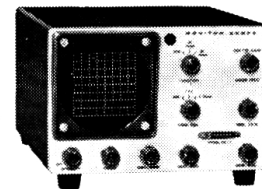
Kit HR-10, 20 lbs.....**\$79.95**
Kit DX-60A, 25 lbs.....**\$79.95**

HEATHKIT "MONITORS" ADD PROFESSIONAL QUALITY TO THE AMATEUR STATION

HO-13
"Ham-Scan"
Spectrum Monitor
\$79⁰⁰



HO-10
Signal Monitor
\$59⁹⁵



"Ham-Scan" shows a panoramic display of radio signals 50 kc's on each side of receiver tuning. Shows band conditions instantly!

Kit HO-13, 12 lbs.....**\$79.00**

HO-10 shows actual quality of transmitted and received signals. Displays envelope, AF and RF trapezoid patterns.

Kit HO-10, 12 lbs.....**\$59.95**

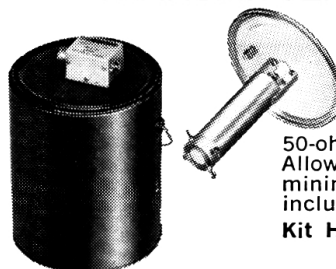
TUNNEL DIPPER



HM-10A
\$34⁹⁵

Outperforms the usual grid-dip meter through solid-state circuitry.

Kit HM-10A, 3 lbs.....**\$34.95**



HN-31
\$9⁹⁵

50-ohm impedance. Oil cooled. Allows power measurements with minimum radiated signal. (Oil not included).

Kit HN-31, 3 lbs.....**\$9.95**

For Complete Descriptions See Your 1965 Heathkit Catalog

Kit HP-13 DC Power Supply (converts 12 v. DC to power for single-banders), 7 lbs.....**\$59.95**

Kit GP-11 Vibrator Power Supply (6 or 12 v. DC to 250 v. DC @ 100 ma.), 6 lbs.....**\$16.88**

Kit HP-23 AC Power Supply (converts 120 v. AC to power for single-banders), 19 lbs.....**\$39.95**

Kit HS-24 Mobile Speaker, 3 lbs.....**\$7.00**

Kit PM-2 RF Power Meter, 2 lbs.....**\$12.95**

Kit CO-1 Code Practice Oscillator, 2 lbs.....**\$7.95**

Kit HD-11 "Q" Multiplier, 3 lbs.....**\$14.95**

Kit HG-10 VFO, 80-2 meters, provides 5 volts RMS, 12 lbs.....**\$34.95**

Kit HD-20 100 kc Crystal Calibrator, 1 lb.....**\$14.95**

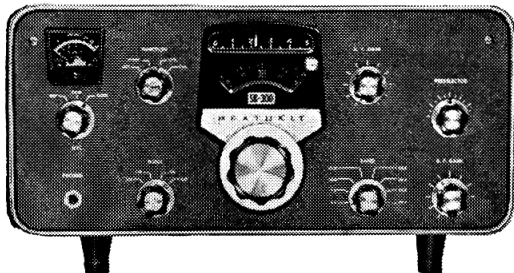
Kit HM-11 Reflected Power Meter, 3 lbs.....**\$15.95**

World's Largest Selection!

YOU CAN SAVE UP TO 50%

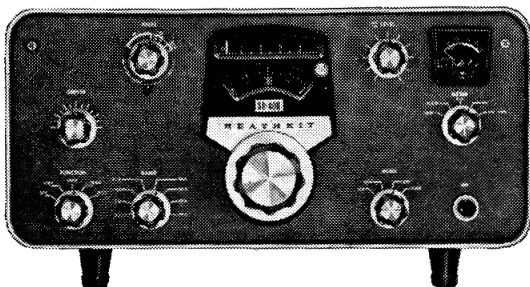
HEATHKIT DELUXE SB SERIES . . .

SB-300 SSB RECEIVER . . . \$265.00



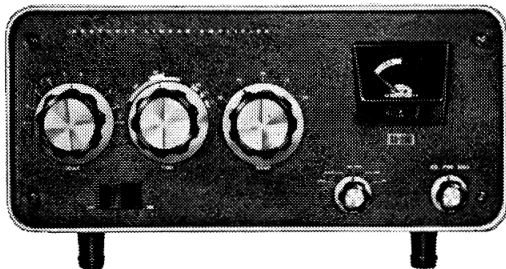
- A new standard of amateur performance & value • 80-10 meters with provision for VHF converters • Crystal-controlled front-end for same rate tuning on all bands
- 1 kc dial calibrations—100 kc per dial revolution • Bandspread equal to 10 feet per megacycle • Provision for transceive operation with matching SB-400 transmitter
- Drift less than 100 cps per hour after warmup • 8 ohm audio output matches HS-24 speaker • Compact—weighs only 22 lbs.

SB-400 DELUXE SSB TRANSMITTER . . . \$325.00



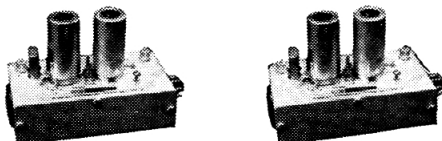
- Built-in power supply • Complete transceive capability with SB-300 receiver • Linear master oscillator frequency control • Built-in antenna change-over relay
- All crystals supplied for complete 80-10 meter coverage • Automatic level control for higher talk power, minimum distortion • 180 watts PEP SSB, 170 watts CW • Crystal filter type SSB generation (upper or lower sideband) • VOX operated CW uses CW sidetone • 1 kc dial calibration—100 kc per dial revolution • 500 kc coverage per bandswitch position • 33 lbs. weight.

SB-200 KW LINEAR AMPLIFIER . . . \$200.00



- 1200 watts P.E.P. input SSB—1000 watts CW • 80 through 10 meter band coverage • Built-in SWR meter—Antenna relay—Solid-state power supply • Automatic Level Control (ALC) • Shielded, fan-cooled amplifier compartment • Pre-tuned cathode input circuit for maximum efficiency & low distortion • Circuit-breaker power supply protection—no fuses • Designed for 120/240 volt operation • Weight 42 lbs.

6 & 2 METER PLUG-IN CONVERTERS EXTEND OPERATION OF SB-300



6 meter model extends coverage from 48-54 mc (50-52 mc crystal supplied). 2 meter model extends coverage from 142-150 mc (144-146 mc crystal supplied). Designed to plug-in to SB-300, but work with any receiver having proper voltages and 10 meter coverage. 2 lbs. **SBA-300-3** (6 meter), **SBA-300-4** (2 meter), 2 lbs. . . . \$19.95 each



FREE 1965 HEATHKIT CATALOG



See the wide array of Heathkit Amateur Radio Equipment available at tremendous do-it-yourself savings! Everything you need in "mobile" or "fixed" station gear with full descriptions and specifications . . . Send for Free copy!

HEATH COMPANY, Benton Harbor, Michigan 49023
In Canada: Daystrom, Ltd., Cookville, Ontario Dept. 9-4

Enclosed is \$ _____, plus shipping.

Please send model (s) _____

Please send FREE 1965 Heathkit Catalog.

Name _____

(Please Print)

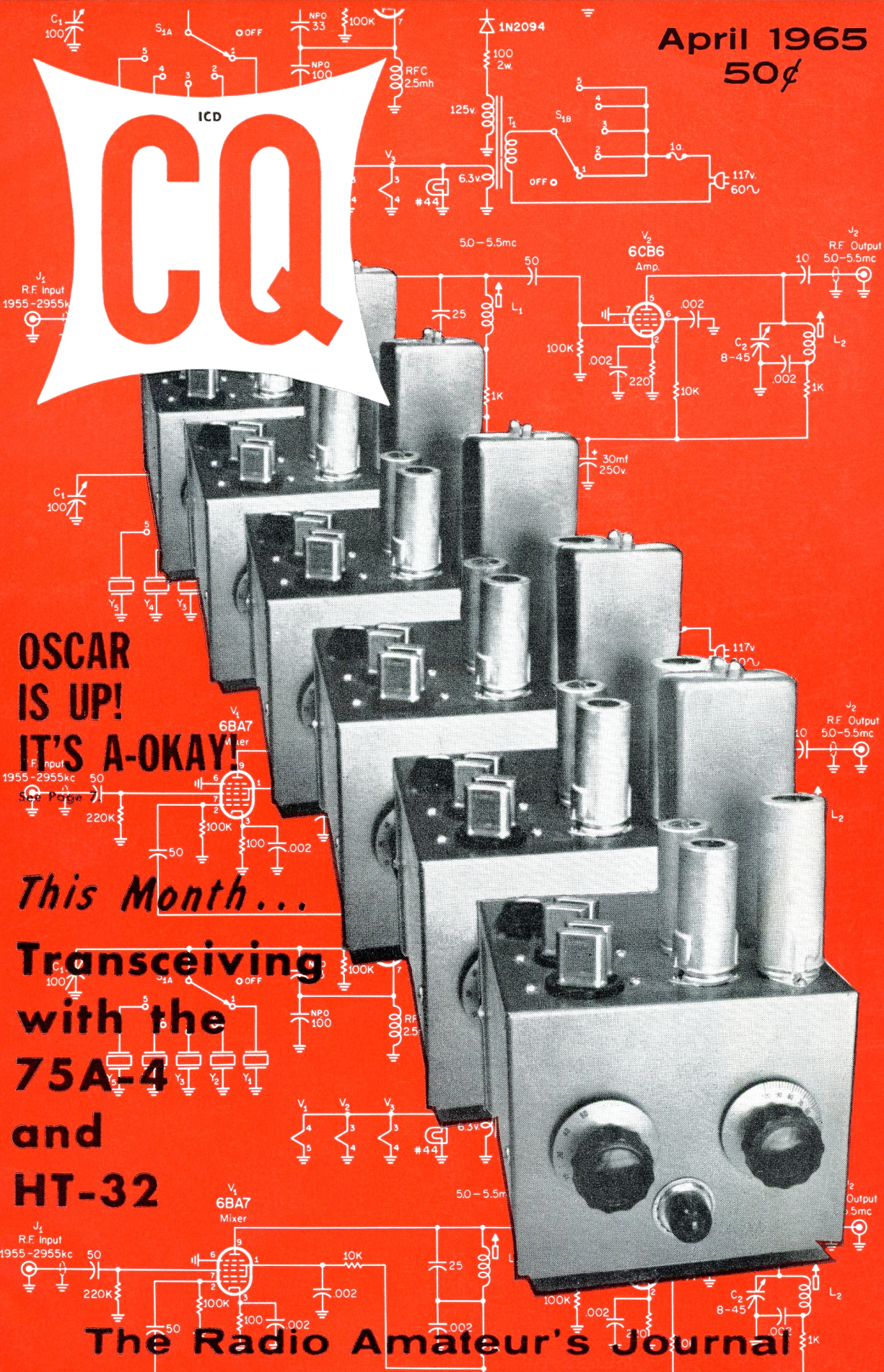
Address _____

City _____ State _____ Zip _____

Prices & specifications subject to change without notice. AM-153

April 1965
50¢

ICD
CQ



**OSCAR
IS UP!
IT'S A-OKAY!**

This Month...

**Transceiving
with the
75A-4
and
HT-32**

The Radio Amateur's Journal



The Radio Amateur's Journal

STAFF

EDITORIAL

RICHARD A. ROSS, K2MGA
Editor

ALAN M. DORHOFFER, K2EEK
Assistant Editor

IRVING TEPPER
Technical Editor

WILFRED M. SCHERER, W2AEF
Technical Director

MARCIA HIGGINS
Editorial Assistant

CONTRIBUTING

FRANK ANZALONE, W1WY
Contest Calendar

ROBERT M. BROWN, K2ZSQ
VHF

WALT BURDINE, W8ZCV
Novice

GEORGE JACOBS, W3ASK
Propagation, Space

ALLEN KATZ, K2UYH
VHF

BYRON H. KRETZMAN, W2JTP
RTTY

A. EDWARD HOPPER, W2GT
USA-CA

URBAN LE JEUNE, W2DEC
DX

ALFRED G. SMITH, WA2TAQ
Club Forum

LOUISA B. SANDO, W5RZJ
YL

CHARLES J. SCHAUERS, W6QLV
Ham Clinic

BUSINESS

SANFORD R. COWAN
Publisher

JACK N. SCHNEIDER, WA2FPE
RICHARD A. COWAN, WA2LRO
Advertising Representatives

HAROLD WEISNER, WA2OBR
Circulation Manager

PRODUCTION

CARY L. COWAN
Production Manager

RUTH SOKOLOW
Art Director

TABLE OF CONTENTS

30	A 75A-4/HT-32 TRANSCEIVER	J. W. Spencer, W4HDX
32	PUTTING THE EICO 772 ON TEN	Mike Beck, K2QMM
34	CRANIUM QUERIES	
35	A COAX DUMMY LOAD FOR 200 MC AND UP	James G. Lee, W6VAT
36	LORD HOWE HOLIDAY	Graham G. Hall, VK2AGH
38	SLUG TUNED COILS	R. M. Baldwin, K4ZQR
41	ANNOUNCING THE NEW SPRING 1965 VHF CONTEST	
43	CLEAN UP YOUR SHACK!	Howard S. Pyle, W7OE
44	MODIFYING THE TH-5/TG TERMINAL UNIT	Leroy May, W5AJG/AF5AJG
45	THE POOR MAN'S FREQUENCY FINDER	Don Wennerberger, WA4PXR
46	RTTY FROM A TO Z, PART IX	Durward Tucker, W5VU
51	WHO IS DURWARD TUCKER?	Staff
51	DEVELOPING A DX VOICE.....	CQ Staff in consultation with Prof. Emil Heisseluft
55	PEOPLE AND PLACES	
56	SLIDE RULES	Wilfred M. Scherer, W2AEF
62	A C.W. MONITOR FOR GRID-BLOCK KEYED TRANSCEIVERS	Al D'Onofrio, W2PRO and Pete Stark, K2OAW

DEPARTMENTS

20	ANNOUNCEMENTS	68	PROPAGATION
25	CLUB FORUM	88	RTTY
70	CONTEST CALENDAR	72	SPACE
64	DX	78	USA-CA
82	HAM CLINIC	74	VHF
14	LETTERS	90	YL
85	NOVICE	7	ZERO BIAS

Offices: 14 Vanderventer Avenue, Port Washington, L. I., N. Y. 11050. Telephone: 516 PO 7-9080.

CQ—(Title registered U. S. Post Office) is published monthly by Cowan Publishing Corp. Second class postage paid at Port Washington and Garden City, New York. Subscription Prices: U. S. A., Canada and Mexico, one year, \$5.00; two years, \$9.00; three years, \$13.00. Pan-American and foreign add one dollar per year. Entire contents copyright 1965 by Cowan Publishing Corp. CQ does not assume responsibility for unsolicited manuscripts. Please allow six weeks for change of address. Printed in the United States of America.

Electronics Slide Rules for the Amateur

BY WILFRED M. SCHERER,* W2AEF

Don't run off and hide just because we're going to talk about slide rules! They're not as high-falutin' as you may think, and any ham worth his salt will profit by knowing a bit about them. Below is a short discussion of several slip-sticks ideally suited for the building ham.

THE slide rule is a mechanical device used for rapidly solving math problems involving multiplication and division, including powers and roots, reciprocals and ratios, and those involving trigonometry and logarithms. The slide rule reduces the working of problems to a fraction of the time required with pencil-and-paper. Thus, it has become an indispensable tool for the engineer and ham alike.

Electronic problems relating to reactance, inductance, capacitance, frequency, resonance, decibels, etc., often require quite a series of operations in multiplication and division. Although standard slide rules may be used, a slide rule designed especially for electronics can shorten the required work still more.

The slide rules described here have been especially designed for solving electronic problems either directly or with a minimum of work. Included are some very simple and inexpensive calculators for limited use, which even the neophyte should find easy to manipulate. As a matter of fact, none of the slide rules is hard to master once you have set your mind to it.

Conventional-Type Slide Rules

In discussing the specialized slide rules, as distinguished from the simple calculators described later, it is assumed that the reader is

*Technical Director, CQ.

acquainted with normal slide-rule operation and with various standard scales and their uses.

For the sake of clarity, only a portion of each rule is shown in the illustrations where the fundamental special operations are indicated. Unless otherwise noted, only the significant figures are identified.

Cooke Radio Slide Rule

To the best of our knowledge, the Cooke Radio Slide Rule, made by Keuffel & Esser Company, is the first one of its type produced especially for electronics problems, having been used during World War II.

This rule includes all the scales of the K & E Polyphase Duplex Decitrig Rule (A, B, T, ST, S, C, D, DI, L, DF, CF, CIF, CI), except scale K which has been replaced by an LC scale, and a 2π scale, folded at 2π , has been added.

Many electronic problems involve the constant 2π , so use of the 2π scale can save one or more slide-rule operations. First, $\omega = 2\pi f$, is simply found by setting the indicator to the frequency on the 2π scale and under the indicator reading ω on scale D. To solve for capacitive reactance, $X_c = 1/(2\pi fC)$, we only need set the hairline indicator to the frequency on the 2π scale, set the capacitance on the CI scale at the indicator, and read the reactance on scale C opposite the index on scale D. The operation is similar for $X_L = 2\pi fL$, except X_L is read on scale D oppo-

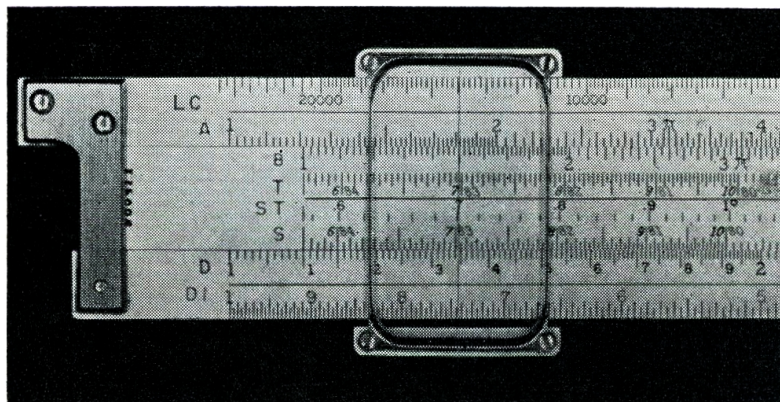
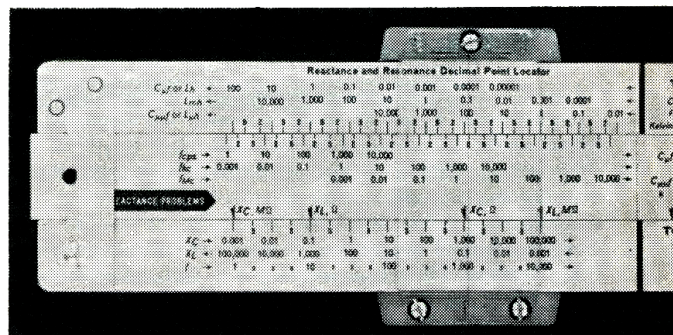
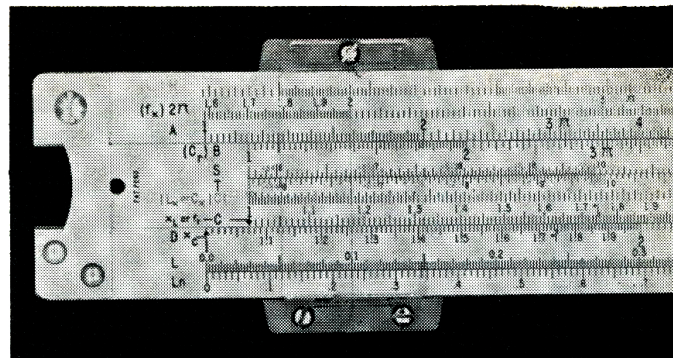


Fig. 1—The Cooke Radio Slide Rule. The index on scale S is set opposite the frequency 1.1 mc on D scale. Under the hairline indicator, the capacitance on B scale is set at 150 mmf and the inductance under the indicator on the LC scale reads 139 μ h. If the indicator were set to the frequency 1.1 on scale D, the L-C product for this frequency would read 20850 on the LC scale under the indicator. A 2π scale is on the reverse side.

Fig. 2—The Cleveland Institute Electronics Slide Rule. Several operations are illustrated. For inductive reactance, the indicator is shown set at the frequency, 2, on the $(f_x) 2\pi$ scale and the inductance, $85 \mu\text{h}$, is placed under the indicator on the $(L_x \text{ or } C_x)$ CI scale. Opposite the index of C scale the reactance on scale D reads 107. The decimal point is found on the Decimal-Point Locator shown below, where for $L=85 \mu\text{h}$ on the upper scale has been placed opposite 2 mc on the middle scale. Opposite the $X_L \Omega$ index, just above the bottom scale, the reading is $1000+\Omega$, which according to the slide-rule figures then is 1070 ohms.

In respect to resonance, the indicator is set at inductance, 16, on the (L_r) H scale (top). The capacitance, 138, on scale (C_r) B is placed under the indicator and the resonant frequency reads 107 on scale D opposite the C index. The significant figures, of course, must be pointed off according to the decimal point table.

One other function that can be seen is that the indicator is set at a power ratio of 1.26 on scale D, and under the indicator on scale L is .1, which when multiplied by 10 comes out to 1 db. Similarly for converting from a voltage ratio, .1 is multiplied by 20, and the answer is 2 db.



site C index. The procedures are reversed for finding one of the other unknowns.

As with most standard slide-rules, only the significant figures are used, so the location of the decimal point must be determined mentally by simple rough calculations.

An L - C product scale, identified by LC, is used in conjunction with the B, C, and D scales for solving resonant-frequency problems. See fig. 1.

$Q = (2\pi fL)/R$, Dissipation $D = 2\pi CR$, impedance of parallel-resonant circuit $Z = (2\pi fL)^2/R$ and other problems involving 2π also may be solved with a minimum of work as explained in the instruction manual. Data is also included for using the standard scales for solving many other electronic problems such as voltage and power ratios, decibels, vectors, phase angles, etc. Problem exercises in the various categories are set up for practice operation, with the answers listed in the back of the book.

The body material of the K & E Cooke Radio Slide Rule is mahogany faced with a white synthetic material that has indented "engine-divided" graduations and numerals in black, except on the inverted or descending scales where the numerals are red. This rule is in the \$25 to \$30 range, depending upon the carrying case.

Cleveland Institute Slide Rule

This rule has the standard scales: A, B, S, T, CI, C, D, L and Ln. The special ones are: a 2π scale for reactance problems, etc., and scale H which is an L - C product scale for resonance problems.

Unless you use a slide rule almost daily, it often is difficult to remember which scales are used for different problems. A special feature of the Cleveland rule is that, besides being identified by a letter, each scale including the standard ones, also is marked according to the electronics purpose for which it is used, eliminating frequent references to the manual. In fact, you can just about figure out how to use the various scales

simply by observing the special identifications.

Another particular feature of this rule is that on the back is a Reactance and Resonance Decimal-Point Locator which makes it possible to easily place the decimal, or to determine the fractional units for problems of reactance, capacitance, inductance or frequency. It also does away with the need to convert from one unit to another.

The Decimal-Point Locator utilizes a nomograph technique with a sliding scale and indexes employed in place of a straightedge. The scales are calibrated for mmf, mf, μh , mh, h., c.p.s., kc, mc, X_L & X_C in ohms and M-ohms, with graduations only at major points. Besides indicating the electrical units involved, the Decimal Locator also provides a rough numerical answer which may be close enough in many instances, but where a more accurate result is required, the values obtained may be used to correlate the more precise figures obtained using the 2π and H scales on the face of the rule. Thus, this rule may be used either as a simple calculator for approximate answers or as a regular slide rule for accurate answers. The rear of the rule also contains many of the commonly used formulas and conversion factors for electronics.

Referring to fig. 2, in working reactance problems, the 2π (f_x) scale is used in conjunction with the CI (L_x or C_x), C (X_C) and D (X_L) scales. Resonant-frequency problems are solved using the H (L_r) scale in conjunction with the B (C_r) and D (f_r) scales and the C index (f_r).

The Cleveland Institute Electronics Slide Rule is supplied with a comprehensive 123-page instruction manual which not only describes how to work a host of problems using both special and standard scales, but which also describes slide rule fundamentals and operation. Actually, it is a self-training course for students and is a handy refresher for those desiring to brush up on forgotten slide-rule procedures. Over 100 problems, with answers in the rear of the manual, are in-

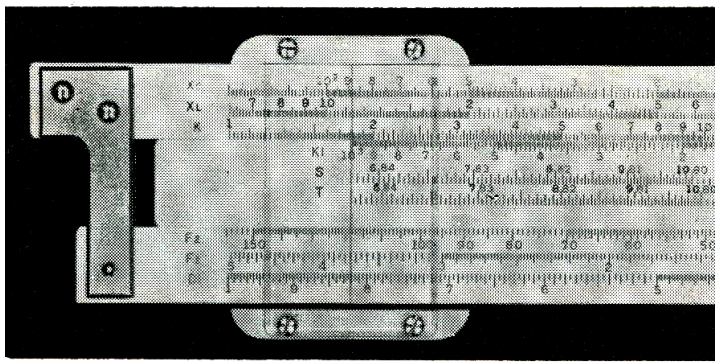


Fig. 3—The Lafayette Decima-Dyne Slide Rule. The capacitance, 6, on KI scale is shown set opposite the frequency, 3, on scale K. The indicator is set at the KI index, 10^3 , with the capacitive reactance shown under the indicator at 87 on the X_c scale.

Working with inductive reactance, 6 on K scale represents the inductance, instead of capacitance, and the reactance is shown reading 113 under the indicator on the X_L scale.

A resonant-frequency operation also is shown. A capacitance, 6, on the KI scale is shown set opposite an inductance, 3, on the K scale. The indicator is set at the KI index, 10^3 , and the resonant frequency for this combination of C and L is shown under the indicator on F_2 scale at 117. Any other combinations of C and L that are opposite each other on the K and KI scales also will resonate at a frequency of 117.

The decimal point for the settings is determined from Decimal-Point tables in the manual.

cluded along with an examination which may be worked and sent to the Cleveland Institute of Electronics for grading and correction.

The rule embodies rugged all-metal construction for dimensional stability. It has a white facing with engine divided graduations and numerals in black. Red numerals are used on the inverted scales. The price is \$14.95, complete.

Lafayette Decima-Dyne Rule

This rule has the standard scales: A, C, D, CI, CIF, CF, DF, S, T, DI, K, KI, and the special scales: db (linearly calibrated from 0 to 20 db), X_c (a KI scale folded at $\frac{1}{2}\pi$), X_L (a K scale folded at 2π) and resonant-frequency scales F_1 and F_2 . The X_c , X_L , K and KI scales each cover three decades.

Referring to fig. 3, reactance problems are solved using the K and KI scales in conjunction with the X_c or X_L scales. Resonant-frequency problems are worked using the K, KI, F_1 and F_2 scales. The position of the decimal point is determined by the use of a decimal-point table in the manual.

The A and D scales are used for db calculations in conjunction with the db scale which is calibrated over a range of 20 db in both ascending and descending increments, so that db gain or loss may be quickly determined. Voltage and current ratios are converted to db by setting the indicator to the ratio on scale D, and reading the db gain or loss on the db scale. When the ratio is such that the gain or loss is greater than 20 db, a decibel table in the manual indicates the number of 20 db increments to be added to or

subtracted from the db scale reading. Not indicated in the manual is that power ratios can be converted to db by setting the indicator to the power ratio on scale A and reading db under the indicator on the db scale. This is similar to standard slide-rule operation where the D scale is used along with the L scale.

Additional calculations are described in the manual for computing frequency-modulation percentage, frequency and wavelength, vectors, effective value of a distorted wave, circuit impedance, current and voltage in reactive circuits and surge impedance.

The Lafayette Model F-990 Decima-Dyne Slide Rule has a bamboo body faced with white plastic on which the graduations and numerals are dark blue, except on the descending scales where the numerals are red. It is imported, and priced at \$13.95.

Pickett Electronics Rule

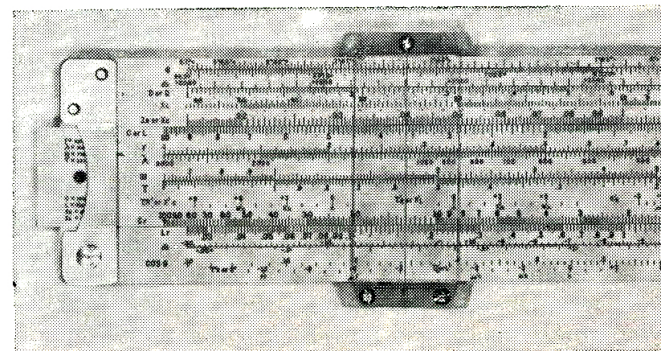
The Pickett Electronics Slide Rule is more elaborate than the others described here. One side has 16 standard scales; the other side has 18 special scales designed for solving complex electronic problems concerning reactance, resonance, R-C coupling networks, transmission or delay lines, time constants, db ratios, angular velocity and radians, etc.

The standard scales are: SH1, SH2, TH, DF, CF, L, S, ST, T, CI, C, D, LL1, LL2, LL3 and Ln. The special scales are: Θ —used for finding phase-shift angles; db—for use with power and voltage ratios; D or Q—for quality factor in reactive circuits; X_L —for inductive reactance; Z_c or X_c —for transmission-line impedance or capacitive reactance; C or L—for capacitive or inductive

Fig. 4—The Pickett Electronics Slide Rule. The frequency, 1.1, on scale F has been placed opposite an index arrow (not shown) on scale D. For reactance, the indicator is shown set to capacitance or inductance, 3.6, on scale C or L. The capacitive reactance under the indicator on scale Z_c or X_c reads .0402 and the inductive reactance reads 24.8 on the X_L scale.

For resonance, the capacitance, 13, is under the indicator on scale C_r as is the inductance, .161 on scale L_r . Any other values of capacitance and inductance that are shown opposite each other on the C_r and the L_r scales respectively, also will resonate at a frequency of 1.1.

The figures given in the examples are then converted to the applicable fractional units using the powers-of-ten as determined from the Decimal-Point Locator scales.



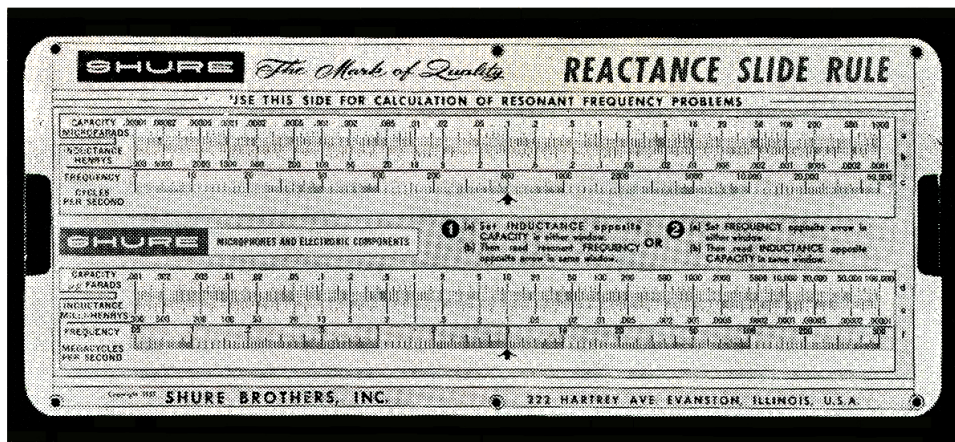


Fig. 5—The Shure Reactance Slide Rule. At the upper half, 500 c.p.s. on the sliding frequency scale is shown placed opposite the index arrow at the center. 2 henries on the inductance scale, also located on the slide, appears opposite .05 mf on the adjacent fixed scale. Thus, 2 h. and .05 mf will resonate at 500 c.p.s. Any other values of inductance and capacitance that appear opposite each other also will resonate at 500 c.p.s. Values for other frequencies are found by setting the new frequency opposite the arrow and reading C and L accordingly. The lower half of the rule is used for higher frequencies up to 500 mc. Reactance and Q problems are solved on the reverse side of the rule in a similar manner.

values in farads or henries; F—for frequency in cps; λ —for wavelength; ω —for angular rotation in radians-per-second; τ —for time constant; R' or X'—for use with decimal-point locator scales; C_r & L_r—for capacitance and inductance in resonant circuits; Cos θ —for relative gain in coupling circuits; and *—a row of dots above the X_L scale to indicate the nearest standard resistance values in ohms when referred to X_L, and a row of dots below the X_L scale for referring to standard capacitances on X_C scale. A number of Decimal-Point Locator scales is included too.

Some of the operations are shown at fig. 4. Reactance problems are worked using the F, X_C, X_L scales and the index arrow which is located in the middle of the D-Q scale. Resonant-frequency calculations involve the F, C_r, L_r scales and the index arrow. The ω or λ scales may be used in place of the F scale for problems concerned with angular velocity or wavelength.

One of the features of this rule is that relative values of quantities involved can then be determined by use of the slide and one of the special Decimal-Point Locator scales situated along the lower edge of the rule. These indicate the powers-of-ten to be applied to the significant figures of the readings.

Many additional kinds of electronic problems can be conveniently and rapidly worked, while the inclusion of more than the usual number of standard scales covers a wide scope of operations

in other fields. Instructions are included in the manual.

The Pickett Electronics Slide Rule is constructed of metal throughout for durability and accuracy stability. It is faced with "Eye-Saver" yellow/green which is at Angstrom "5600", the point of maximum visibility on the color spectrum. The price is about \$30.

Simple Slide Rules

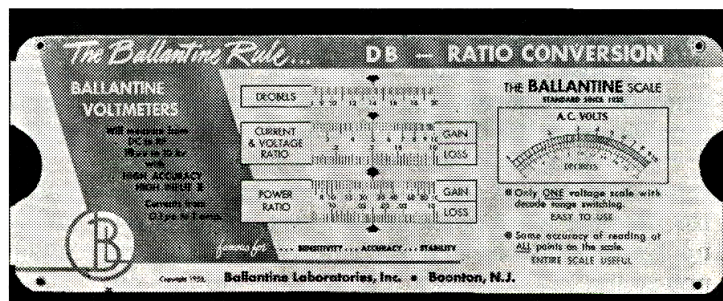
The simple slide rules or calculators described below are inexpensive devices made of cardboard. Their accuracy is not as good as the higher-priced "exotic" slide rules, but one of their advantages is that readings are made in direct values, eliminating the problems of placing the decimal point. These rules are handy for quick calculations which at least get you "into the ball park" or they may be used as decimal-point locators. Thus, they can be useful items to have on hand even for the user of the conventional-type slide rules.

Shure Reactance Slide Rule

This rule is used for calculating resonant-frequency constants, for determining capacitive or inductive reactance and for finding the figure-of-merit or Q. All scales are calibrated directly in the quantities involved. Problems may be solved quickly and directly with reasonable accuracy.

One side of the rule is used for resonance problems. The scales cover .001 mmf to 1000 mf,

Fig. 6—The Ballantine Rule. The current and voltage gain and loss scales are shown set at 5 and .2 respectively, and the power-ratio gain and loss scales are set at 25 and .04 respectively. The gain or loss for the indicated ratios is shown on the decibel scale as 14 db. The voltage vs. db power-level operation is conducted on the reverse side of the rule.



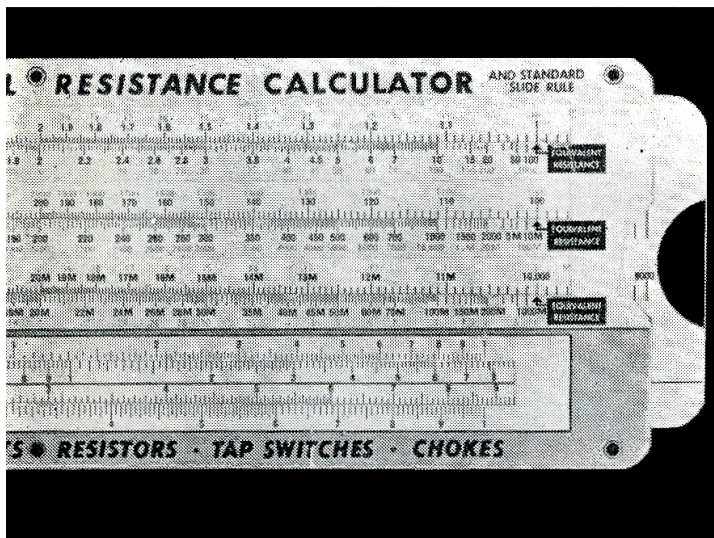


Fig. 7—The Ohmite Calculator. The equivalent resistance of two parallel-connected resistors is found by setting the value of one resistor, on a sliding scale, opposite the value of the other resistor on a fixed scale, and then reading the resulting resistance on the sliding scale opposite an index arrow on the fixed scale. Referring to the two top scales in the photograph, 1.5 ohms has been placed opposite 3 ohms. The equivalent resistance with these two values, connected in parallel, is shown as 1 ohm opposite the indexing arrow at the upper right. Any other values of resistance that fall opposite each other on the top scales also will result in an equivalent resistance of 1 ohm when they are parallel connected. The standard slide-rule scales, A, B, C, D, are located at the bottom. Ohm's Law problems are worked on the reverse side of the rule.

.01 μ h to 10,000 h, and 5 c.p.s. to 500 mc. Operation is indicated at fig. 5.

The other side of the rule is used for reactance or quality-factor problems. The scales cover inductances of .001 mh to 100 h; capacitances of 1 mmf to 100 mf, inductive reactance and resistance of .00001 ohm to 100 megohms, capacitive reactance and resistance of .01 to 100,000 ohms, and dissipation factors (D) or Q of .00002 to 10,000.

An extra dividend, not shown in the instructions that are printed on the rule, is that either the D or Q scales may be used with the frequency scales to perform multiplication and division by using them as the A and B or C and D scales of the standard slide rule. Furthermore, the decimal point is automatically indicated and is shown over a large range of values (.00002 to 1,000,000).

The Shure Reactance Slide Rule is available from Shure Brothers, Inc., 222 Hartrey Ave., Evanston, Illinois, for \$1.00.

Ballantine Rule

The Ballantine Rule is designed to provide quick solutions for problems concerned with current, voltage and power ratios vs db gain or loss and for db power levels v.s. voltage in relation to different standard O-db-power reference levels. A nomograph technique is employed whereby all quantities are indicated on several scales located on a common slide with aligned index arrows on the body of the rule.

To find the db gain or loss for a known current or voltage ratio, the ratio on the current/voltage gain or loss scale is set opposite the ratio index arrow and the db gain or loss is read on the db scale opposite the db index arrow. Power ratios are likewise converted to db, and visa versa, using the power-ratio gain or loss scales in conjunction with the db scale. See fig. 6.

For finding the power level at a given voltage, relative to one of the O-db references, 0 db on the db scale is set opposite an index which is set up for the desired reference level, and the db power level is then read opposite the voltage on an adjacent scale.

Secondary operations that can be performed with this rule are: finding the square, square root, reciprocal or logarithm (including the characteristic and mantissa) of a number.

The Ballantine Rule is available from Ballantine Laboratories, Inc., Boonton, N.J. Send 35¢ to cover mailing and handling costs.

Ohmite Calculator

The Ohmite Calculator employs a slide-rule technique for determining the equivalent resistance of paralleled resistors. A nomograph technique is used with sliding scales for Ohm's Law problems. The standard slide-rule scales A, B, C and D also are included.

Operation for resistance problems is shown at fig. 7.

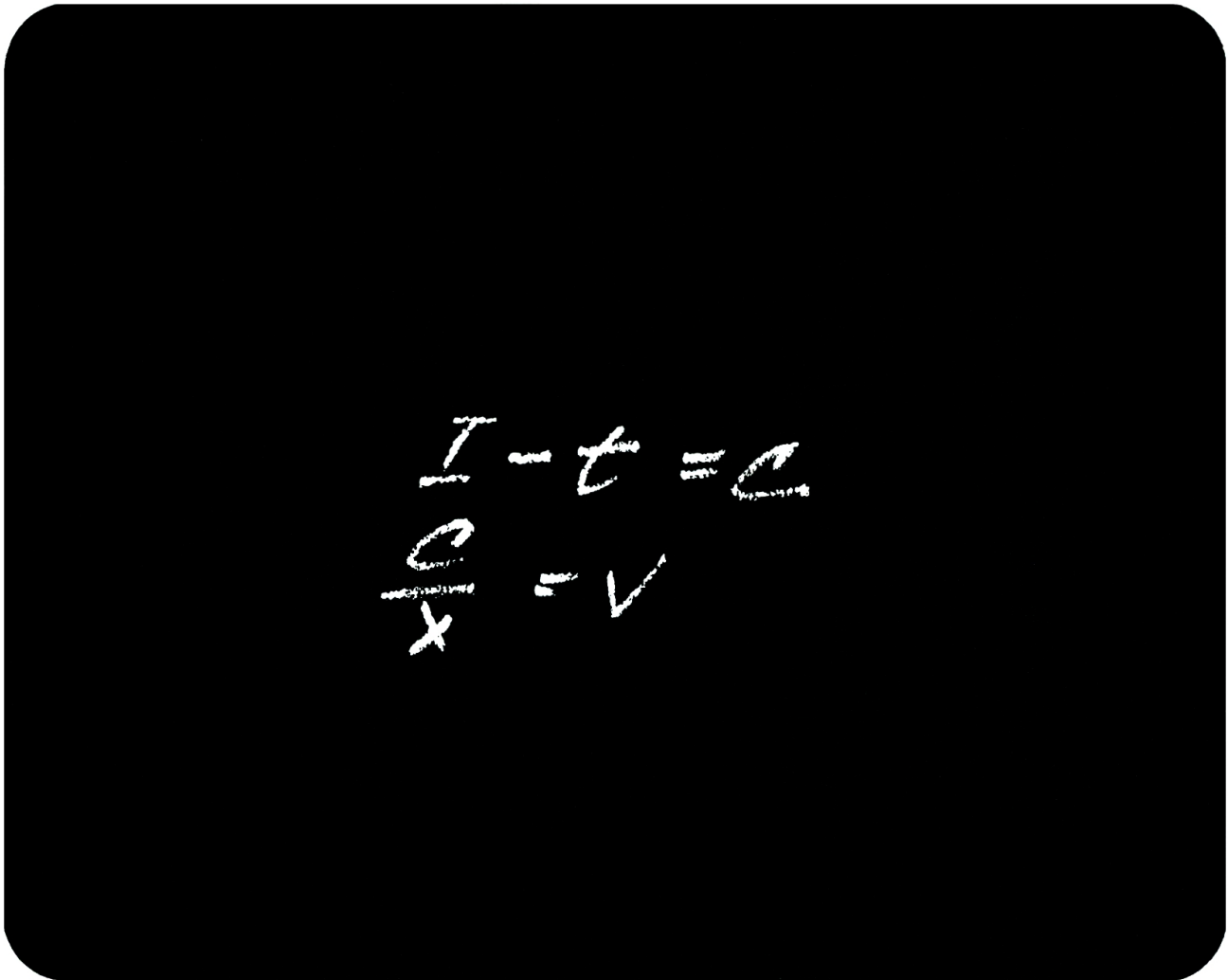
Ohm's Law calculations are conducted by setting one known quantity on a sliding scale opposite the other known quantity on a fixed scale, and reading the unknown opposite one of the known values on another pair of scales. Readings for ohms are correlated with an "Ohms" index. The ranges cover .01 ma to 100 a., 0.3 v. to 100,000 v., .01 ohms to 100 megohms and .01 to 10,000 watts. Operating instructions are printed on the rule.

This rule is made by Ohmite Manufacturing Co., Chicago, Ill., and it may be obtained from many radio supply houses for 25¢. A deluxe plastic model is \$1.50.

Slide Rule Literature

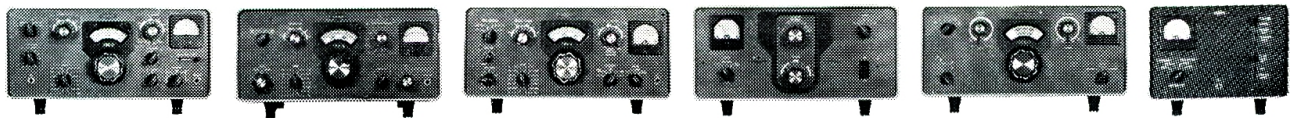
Nearly any large stationery store or artists' supply is a good source of manufacturer's literature about slide rules. However, in the absence of a local supplier, the Reader Service department of *CQ* will route any inquiries to the manufacturers, upon request. A postal card with your name and address, and the slide rule in question will suffice.

For some good practical background on the use of slide rules for electronics, as well as a wealth of information about math for the technician, locate a copy of *Mathematics for Electricians and Radiomen*, by Nelson M. Cooke (McGraw Hill). ■



SIMPLE ARITHMETIC

No other equipment on the market holds its value like Collins' S/Line gear. That's one reason Collins is such a good investment. A little simple arithmetic brings home the point. Your initial investment minus trade-in value equals your cost for Collins' S/Line. Divide your cost by the number of years you keep your S/Line gear and you'll have the true value of how little it costs to own the finest. Check your Collins distributor and compare prices. Then check and compare equipment features. Collins offers you complete station compatibility; frequency stability; frequency calibration; more QSO's per kilocycle; mechanical filters; dual or single PTO control; automatic load control; negative RF feedback; light weight; distinctive simplicity and styling. Once, these features were all Collins "exclusives." Even today, Collins offers you all ten — Collins is still unexcelled. Visit your Collins distributor and see the S/Line. Then do your own simple arithmetic. Find out for yourself that it costs less to own the finest.



第20巻 第5号 昭和23年7月30日第3種郵便物認可 昭和39年9月18日国鉄東局特別扱承認雑誌第1942号 昭和40年4月1日発行(毎月1回1日発行) 通巻219号

CQ 4 1965 ham radio

特集 **SSB送信機の
DからAまで**
色刷 国試突破虎の巻
CQジュニア トンツ一発振器の製作
教 室 ヒースSB200リニヤアンプ
折込 ナショナルNC173R受信機
付録 日本のアワード第2集



目次

Contents

《グラビア》マイ・シャック(JA2JW) / 摂津金属NR-1300受信機ケースキット / PRのページ.....101

特集 SSB送信機のDからAまで大蔵恭仁夫(JA8BI/1).... 53

初心者にもできる電力の経済的な
フローティングキャリア送信機箕田 義人(JA1GMH).... 67

バッカーVFO有山 正彦(JA3GZR).... 72

50McTRプリアンプ北国 昭雄(JA6AAF/1) 75

水晶1個で短波も聞ける
マルチバンドクリコン日野 昌徳(JA1DCL).... 78

3.5Mc用1本マスト三角アンテナ杉本 哲(JA1CNE).... 83

新品で7.7k円ジャンクで5.1k円
三角タワー中谷 稔(JA8BOV).... 87

やさしく解説した
バーチカルアンテナの話高橋 敏夫(JA1BWA)....91

アマチュアテレビにおける
UHF真空管の使いかた日立製作所.....169

四月期電信電話級アマチュア無線技士国試直前総仕上げ 118

■ 連載講座

私達のトランジスタ教室丹羽 一夫(JA1AYO) ... 96

受信機の作り方教室(第12回).....梶井 謙一(JA1FG) ...159

アマチュアTV入門(第21回).....一ノ瀬和泉(JA6BND)....164

技術展望 §YAGI付キュビカル・クワッド §次期太陽黒点数極大値の予報175
§超振幅変調 §技展クイズ

サンヨー発電機紹介.....サンヨー電機株式会社 特機部.....182

§雑音と王様と私(浦山澄子).....187 §小型オートバイのバッテリーの
利用法内山 諭.....168

4月

1965年
通巻219号 第20巻第5号

CQジュニア教室

色刷

ページ

■製作教室	トン・ツー発振器の作り方	丹羽 一夫 JA1AYO	109
■国試のページ	国試直前総仕上げ	編集部	118

〈折込〉	ナショナルNC-173R受信機	資料と解説	大沢 幸夫
	ヒースSB-200リニヤ・アンプ		編集部

カラーセクション

CQ日誌		吉岡 謙(JA4KI)	125
わたしのくふう			126
How to QSO	QSOの内容について第2回	米田 治雄(JA1ANG)	128
SWLコーナー	SWLの楽しさ	海老沢政良(JA1DM)	130
クラブ紹介	蒲田クラブ		132
ぼくらのクラブ局	国際学園中野電波高校 JA1YCO		133
YLセクション	北から南から		134
モバイルセクション			135
アワード紹介	Z36A, San Antonio RCほか	小林 信夫(JA1EL)	136
Q & A			137
CQサロン			138

JARL 月報180

お買物案内181
・エスミトランシーバ ・カツミエレキー ・ナショナルチューナ
・アイデアルケース ・マスプロアンテナ ・キクスイRC発振器

海外メモ185
小室 圭五(JA1KAB)

海外情報186
桑原 武男(JA1CR)

■ My Shack (4)JA2JW 星山陽太郎さん グラビア / 188

ローカル・トピックス191

About VHF196
原 昌三(JA1AN)

D X199
星山陽太郎(JA2JW)

4月のCondx204
菅 宮夫(JA1CO)

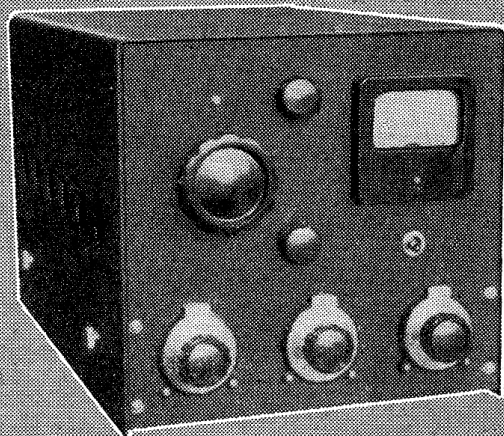
ハム交換室140 編集後記206

〈CQデータシート〉 木賀 忠雄
送信用真空管4-65・4-125規格 JA1AR

〈今月の表紙〉 フランスのDUF、ブラジルのWAA、
デンマークのOHA、オーストラリアのWA-VK-CA
とそれらの申請に使ったカード。JA1DM海老沢さん
の数多いコレクションの一部です。



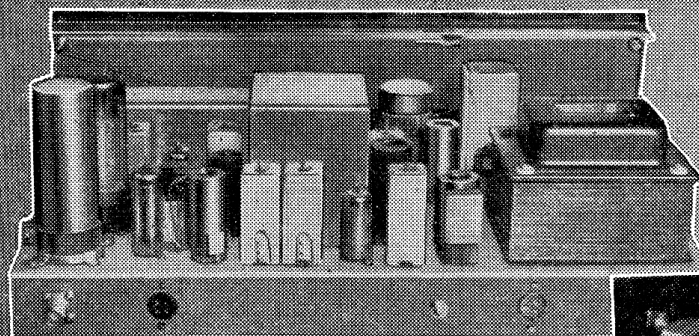
〈フィルタ式SSBエキサイタ〉



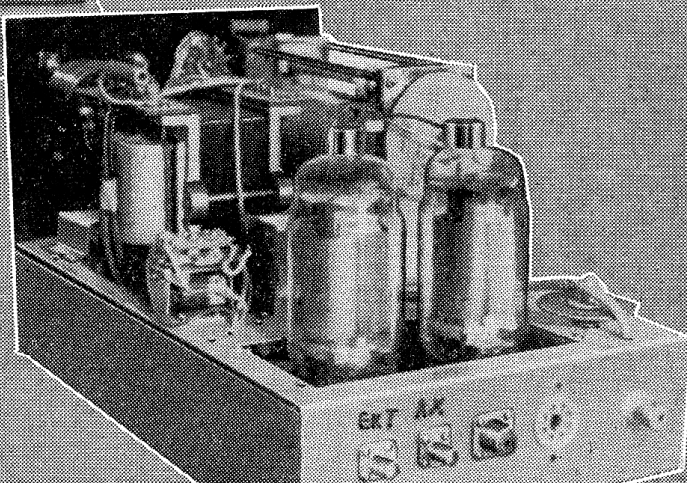
〈813パラ・リニアアンプ〉

特集

SSB送信機の Design から Adjustment まで



〈エキサイタのシャーシ後面〉



〈リニア・アンプのシャーシ〉

〈まえがき〉 WWコンテストに参加して、SSBのすばらしさに魅せられ、なにがなんでもSSBさえ出ればとコリンズまるうつしを作ったのが2年前のこと（1963年12月号）。ところがあまりにも大がかりなのはいやげがさし、なんとか家庭用ラジオ程度のコンパクトなものを作りと上げたのが本機です。あまりゴテゴテと欲ばらないので、あれながらよく出来ました……。



★筆者大蔵OMとSSBエキサイタ★

大蔵恭仁夫
JA8BI/1

シングルバンド エキサイタを作る

1. 小形化と

使いやすさを目標に

家庭用ラジオ、テレビなどの使いやすさを第一目標としていますので次のような点を考慮しました。

- (1) 出来るうかぎり小形化すること。
- (2) 完全なメタルケースに入れること。

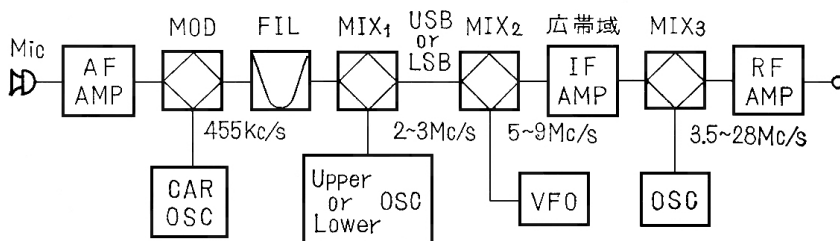
- (3) 不要なつまみはパネルに出さないこと。
- (4) 電源、VFOなど出来るかぎり内蔵すること。
- (5) 不必要な付加装置は、すべてはぶくこと。

2. シングル・バンドで 作りやすさをねらう

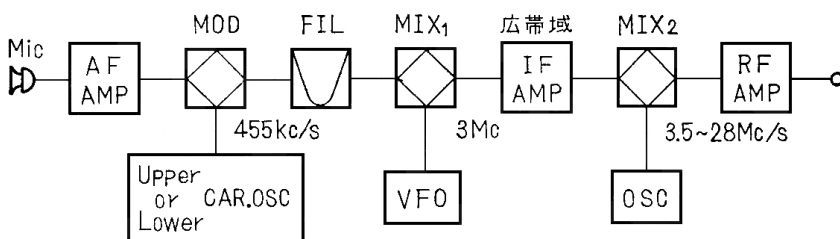
私の場合、他にオールバンドのリ

第1図 SSB送信機のいろいろな型式

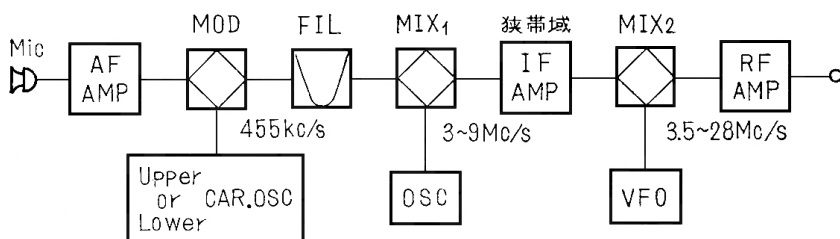
(1) 周波数変換万能形



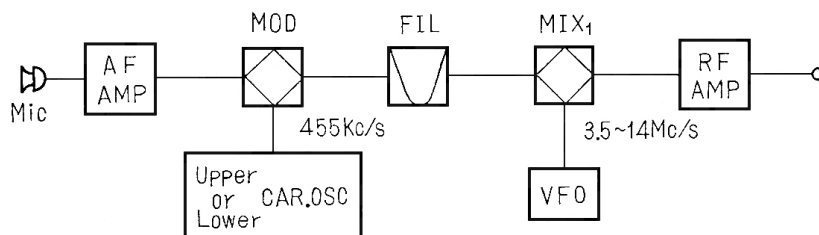
(2) コリンズ形 (VFO前置形)



(3) VFO後置形



(4) シングル・スーパー形



グもありますが、実際この2年程は14Mc以外のバンドで on the air したことはほとんどなく、リグはすべて、14Mcバンドにセットされればなしの状態ですので、シングルバンドのリグでもまったく不便は感じないと思われることと、セットをコンパクトに製作する上からオールバンドはきわめてわずらわしいので、思いきって14Mcシングル・バンドとしました。

3. エキサイタ形式は VFO後置型に

フェーズシフト法、第3の方法などもありますが、ここでは455kc付近のフィルタをもちいたフィルタ法について考えてみます。

SSB送信式の形式として一般的に第1図のようなものがあります。

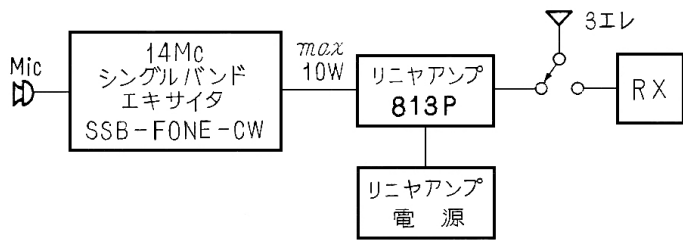
(1) 周波数変換万能形 USB, LSBの切換を行なうためMIXを1個ふやしたものです。その結果FILの特性が左右対称でなくても良いこととCAR OSCの水晶片が1個で良くなっていますが、その代わりにMIXとOSCが各1個増えていますので、コンパクトという意味からは不利になります。

(2) コリンズ形 VFOをMIX₁の所へもって来て、バンド・チェンジのさいVFOの周波数切換がいらないでMIX₂のXTAL OSCの切換のみで良いという長所があります。しかし、シングル・バンド用の場合この長所は何んら生かされず、IF AMPを広帯域にしなければならぬことが欠点となります。

(3) VFO後置形 これはコリンズ形のVFOとXTAL, XTAL OSCを入れかえたもので、コリンズ形の長所がそのまま欠点に、欠点が長所になっています。

つまり、IF AMPは狭帯域で良いが、VFOはバンド・チェンジごとに周波数を切換えなければなりません。しかし、シングル・バンド

* 特集 SSB送信機のDからAまで



第2図 全体のブロックダイアグラム

には良い形式です。

(4) シングル・スーパー形 これは5球スーパーをそっくりうらがえしにしたタイプです。VFO付、FILタイプのSSB TXではこれ以上簡単に出来ません。FILに高い中心周波数のものを使用しないかぎりイメージの関係で14Mc以上はむりです。

単純な形式でコンパクトなシングル・バンドのSSBエキサイタという見地からは(4)シングル・スーパー形が最良ですが、455kc用MFを使う関係でイメージが多少心配ですので(3)のVFO後置型とすることにしました。

4. 全体の構成

第2図のようにエキサイタ、リニヤ・アンプ、リニヤ・アンプ電源と3個のメタルケースに収容し、エキサイタのみをオペレーション・デスクの上に、リニヤ・アンプと、その電源はつまかさねて机の横に置くことにしました。エキサイタ部分は机の上におく関係でなるべく小形でスマートにしようと、秋葉原の鈴蘭堂から、高さ15、幅40、奥行き20cmのメタルケース (TR-3形) を買って来て使用することにしました。エキサイタの中にはVFO、エキサイ

タ用電源、スタンバイ回路を含め、この部分だけの出力は10Wで、そのラインナップは第3図のとおりです。MICから入った音声電流は12AX7で2段増幅され、6U8を使ったCAR・OSCからの453.3kcのキャリアとともに、ゲルマニウム・ダイオード2個から成るバランスド・モジュレータに入り変調され、ダブル・サイドバンドとなります。

MODの出力は6AU6で一段増幅されてから、メカニカル・フィルタを通りUSBとなり、12AU7のバランスド・ミキサに導かれます。ここで6RR8のXTAL OSCの出力8050kcで変調され約8.5McのUSBとなります。

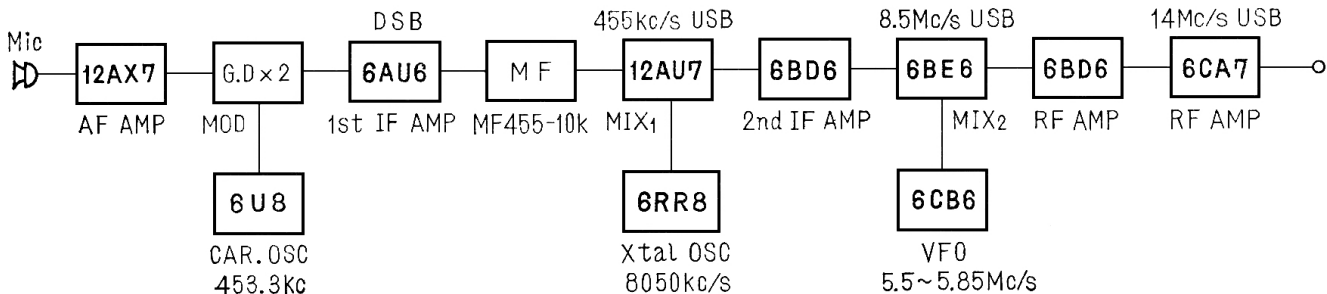
8.5McのUSBは6BD6のIF AMPで増幅され、6BE6のMIX₂に入り、VFO 6CB6の出力5.5Mcで変調され14Mc USBとなります。さらに6BD6、6CA7のAクラス、リニヤアンプで10Wにまで増幅され、エキサイタから出て行きます。

この後に813パラのA_B₂リニヤアンプがつづきます。

5. 周波数関係を調べてみると

(1) フィルタ 調整が不要で、もっとも入手しや

第3図 エキサイタのブロックダイアグラム

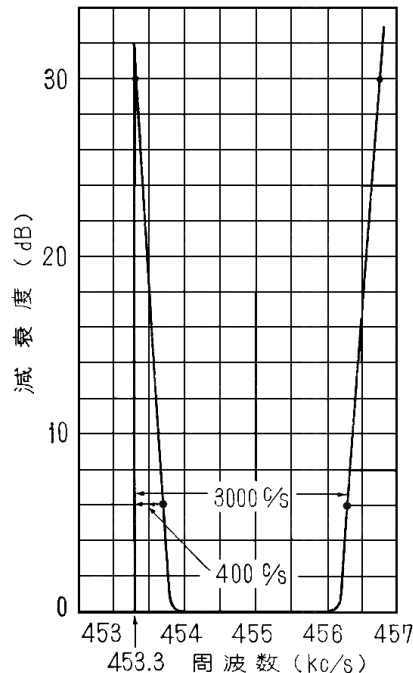


第1表 メカフィルの特性

<国際電気のデータによる>

型名	MF 455-10K
製品番号	C S K 2045
測定月日	1962年 7月 7日
室温	22°C
中心周波数	0.0kc (455kc)
利得	22.5dB
6 dB 減衰幅	+1.3kc -1.3kc
30dB 減衰点 (SSB)	+456.74kc -453.36kc
60dB 減衰幅	+2.2kc -2.2kc

第4図 MFの特性曲線



すい国際電気のメカニカル・フィルタを使用することとしました。

音声の有効伝送周波数帯は、商用電話なみの2700%とすべきですが、ハムバンドのQRMの状態及び電波を有効に使用する点から、6dB帯域で2000%以上とし、MF 455-10Kに決めました。

私の買ったメカニカル・フィルタ MF 455-10K と特性は国際電気のデ

* 特集 SSB送信機のDからAまで

一タによると第1表のとおりです。

(2) サブ・キャリアの周波数

第1表の6dBおよび30dBアッテネーションの周波数をもちいて特性曲線を書くと第4図のようになります。

ここで、音声の有効伝送最低周波数(6dBダウン点)を400%とし、第4図から453.3kcをえまます。この場合、MFによる、サブ・キャリア・サブプレッションは約33dB また、有効伝送周波数帯は400~3000%となっていることが同図からわかります。

(3) IFおよびXTAL

OSC, VFOの周波数

メカニカル・フィルタを使うことから、サブ・キャリアの周波数はきまりました。USBの中心周波数は455kcです。

スプリアスの原因として考えられる主なものは、

- (a)455kcの n 倍の高調波がIFにとびこむもの。
- (b)MI X_{1, 2} のキャリアもれ。
- (c)MI X_{1, 2} のイメージ。
- (d)455kcの n 倍の高調波がMI X₁ のキャリアの m 倍の高調波で変調されてIFにおちてくるもの。
- (e)MI X₂ のキャリアの n 倍の高調波が14Mcバンドにとびこむもの。
- (f)IFの n 倍の高調波がMI X₂ のキャリアの m 倍の高調波により変調されて14Mcバンドにおちてくるもの。
- (g)IFの n 倍の高調波が14Mcバンドにとびこむもの。

などがあります。

一方、周波数安定度の面から、V

F Oの発振周波数はなるべく低い方が良いのです。

以上のことを総合的に考えて、本機ではV F Oの発振周波数を、5,495~5,845kc としました。

この結果V F Oの発振周波数の第2高調波は、10,990~11,690kc
第3高調波は、16,485~17,535kc

となり (e) の心配はなくなります
しかしIFは、

$$14,000 - 5,495 = 8,505 \text{kc}$$

とかなり高い周波数になり、(a)の点からは安心ですが、IFが455kcの約19倍となり(c)が心配となりますのでIF AMPは同調回路を合計6個もちいてセレクトビティーをあげてあります。

また、MI X₁ のキャリアは、 $8,505 - 455 = 8,050 \text{kc}$ となり、IFとの差がわずかですので、MI X₁ はキャリアもれの少ない12AU7をもちいたバランスド・ミクサとしました。

しかし、V F Oの発振周波数と14 Mc はかなりはなれていますので、MI X₂ のキャリアもれ、イメージはまず問題になりませんから、MI X₂ は6BE6を使用してあります。

(d), (f), (g)もまず大丈夫です。

これで必要な周波数は全部きまりました。整理すると第2表のようになります。

第2表 周波数表

CAR. OSC (搬送波発振)	453.3kc
Xtal OSC	8,050kc
VFO	5,495kc~5,845kc
IF	8,505kc
出力	14,000kc~14,350kc
有効伝送音声帯域 (6 dB帯)	400%~3000%

・アンプの出力インピーダンスは数百オームにしなければなりません。

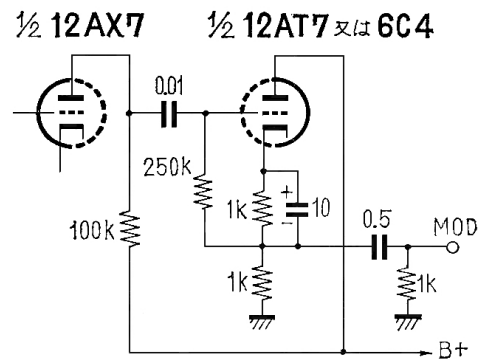
このためカソード・ホロワを1段つけるか適当な低周波トランスを使用する必要があります。本機では山水のトランジスタ用入力トランスST-13という200kΩ : 1kΩの小さなトランスをもちいていますが、あまりにも小形で電流容量が心配ですので、一次側は直流をコンデンサでカットしています。

どうせMFが入っているのですから、周波数特性等はあまり気にしなくても大丈夫です。

また、出力トランスをもちいずカソード・ホロワとする場合は第5図のようにすれば良いでしょう。

出力インピーダンス、ハムの点からトランジスタをもちいるのも良い

第5図 AFアンプ出力をカソードホロワとした回路

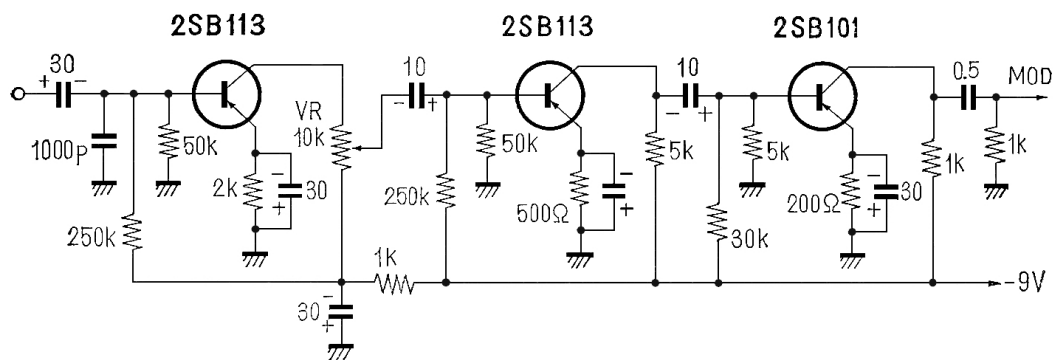


6. 回路のこまかい点

(1) スピーチ・アンプ変調器

MODにゲルマニウム・ダイオードを使う関係上、スピーチ

第6図
トランジスタを用いたAFアンプ

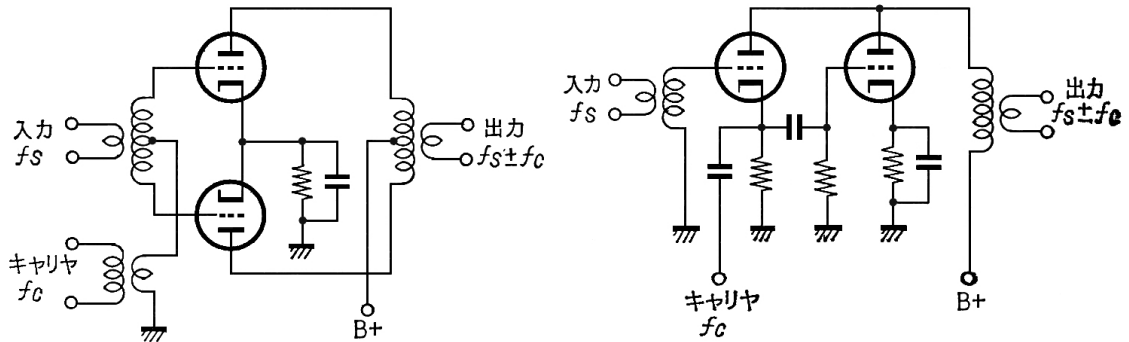


* 特集 SSB送信機のDからAまで

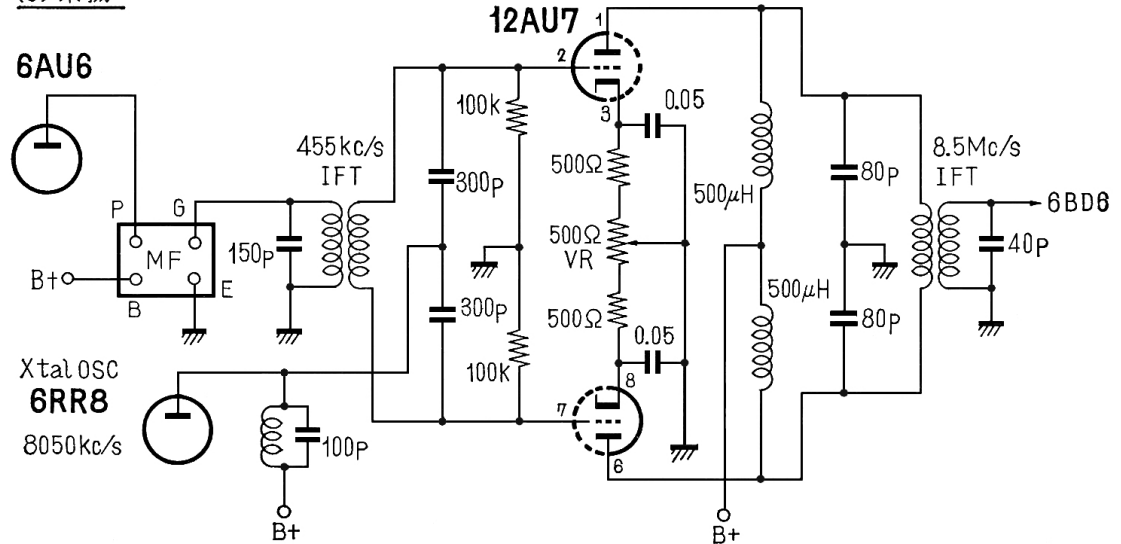
(a) バランスドミキサ

(b) コリンズ形シングルエンデッドミキサ

第7図
各種のミキサ
回路



(c) 本機



のではないかと思います。この場合は第6図のようなものが適当でしょう。

(2) MFとMIX₁

国際電気のメカニカル・フィルタは出力端子のコールド・エンドが内部でケースと接続されていますので第7図(a)のような普通のバランスド・ミキサとは結合出来ません。

第7図(b)のコリンズ形シングル・エンデッド・ミキサならその点は良いのですが、キャリアもれがかなりありBFです。そこでエイツとばかり、有り合せのIFTをつかって第7図(c)のようにしたところ、案ずるよりも生むがやすしで、うまく働いてくれました。MFからMIX₁を見たインピーダンスもかなり高いのでMFの特性が変化することもなさそうです。このへんが本機の特徴と思っています。

(3) 2nd IF AMP

MIX₁ で発生するイメージを退治するためIFTを2個カスケード

に接続し、合計3個のIFTつまり6個のタンク回路を使用しております。

(4) VFO

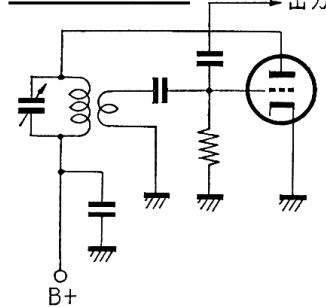
6CB6を使用したプレート同調形ですが、周波数はきわめて安定で

す。出力はグリッドから取出しています。

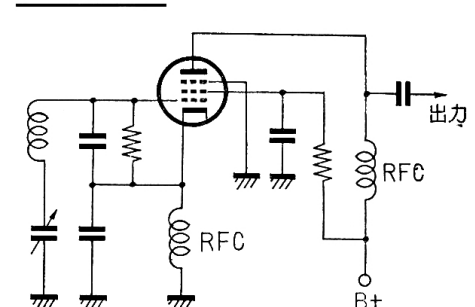
SSBのVFOは周波数可変範囲が広いので、クラップ回路よりはECOあるいは本機のようなプレート同調形がFBと思います。また第8

第8図 VFOのいろいろな回路

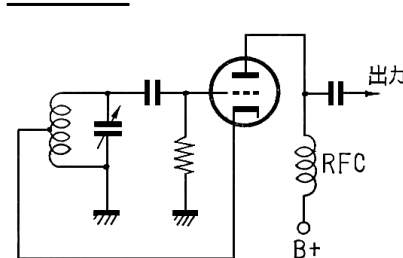
(a) プレート同調形



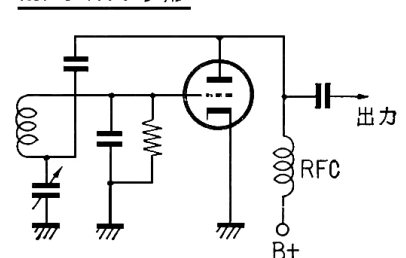
(b) クラップ形



(c) ECO形

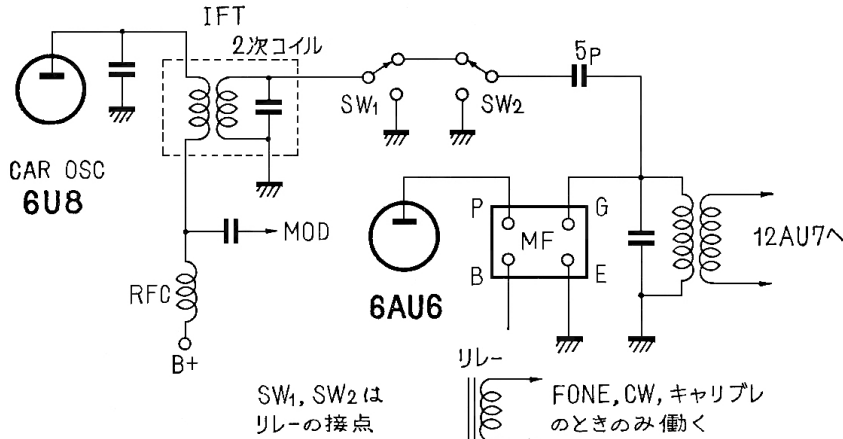


(d) ウイルソン形



* 特集 SSB送信機のDからAまで

第9図 キャリヤ再注入回路



SW₁, SW₂はリレーの接点

リレー
FONE, CW, キャリブレのときのみ働く
ンプです。

図のウィルソン回路なども良いのではないかと思います。

本機の場合、出力周波数 14Mc の約1/3がVFOの出力で、残り2/3は水晶発振の成分です。したがって見かけの周波数安定度は、VFOの安定度の約3倍となります。

たとえば、VFOの安定度が 3×10^{-5} なら14Mc出力の周波数安定度は 1×10^{-5} となります。

VFOのVCはRF AMPのVCと連動でトラッキングをとっています。

(5) RF AMP

6BD6, 6CA7の2段で6BE6の出力を10Wにまで増幅するAクラスア

6CA7は g_m が12mVもあり電力感度が高いのですが、なにしろオーディオ管ですから C_{pg} が11pFもあり、中和をとらなければ絶対に発振

します。

RF AMP各段の同調回路は、VFOのVCと連動でトラッキングをとっていますから、VFOをまわすたびに、RF AMPのVCを廻すことは必要ありませんので、非常に使いやすくなりました。

(6) キャリヤ再注入回路

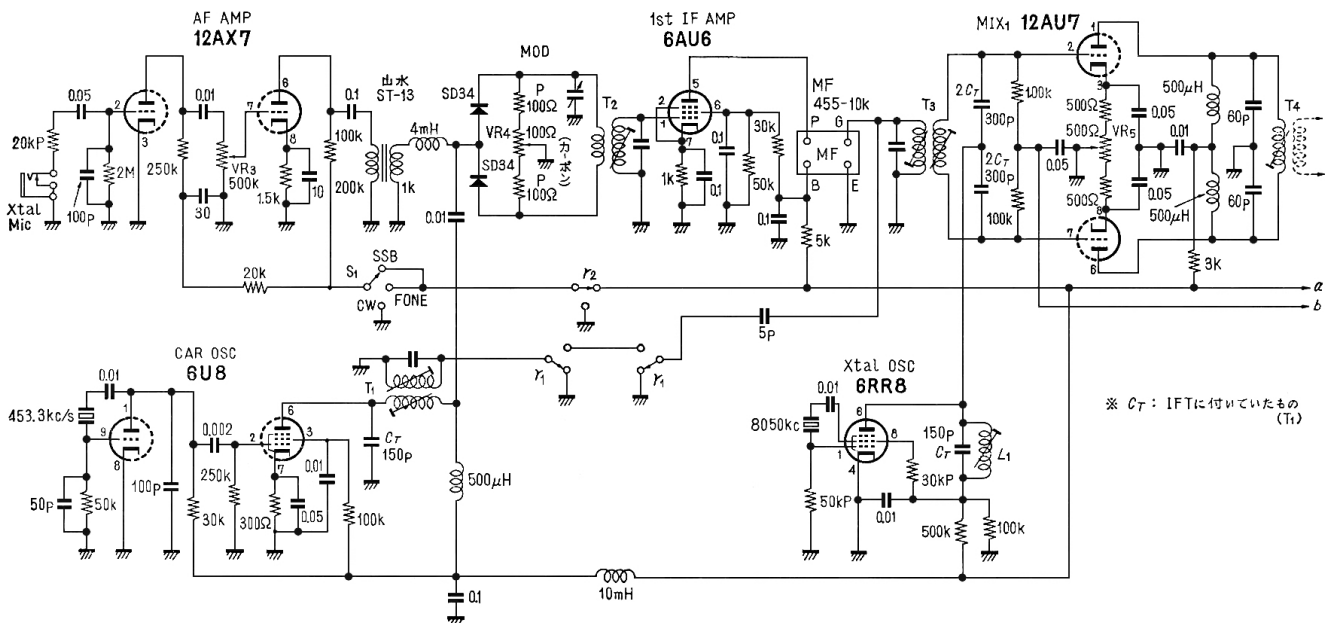
Fone あるいはCWを発射する場合キャリヤ再注入が必要となります。

CAR OSCの出力トランスに使っている、IFTの二次コイルがあまっているのに目をつけ、マイクロリレーをもちいて第9図のようにしています。再注入キャリヤの強さはIFTの二次コイルのコアを動*

第3表 キャリブレ、スタンバイ、キーイング回路の動作

	MIX ₁ MIX ₂ バイアス	IF AMP RF AMP カソード抵抗	AF AMP	RX	リニア アンプ	アンテナ 切替	キャリヤ再 注入リレー	
スタンバイ	-50V 動作せず	キャリブレ用 高抵抗VR	OFF	ON	OFF	RX	ファンクション SWがCW, FONEのときはON SSBならOFF	
キャリブレ	0V 動作する	キャリブレ用 高抵抗VR	OFF	ON	OFF	RX	ON	
送	ファンクション SSB	0V 動作する	出力調整用 低抵抗VR	ON	OFF	ON	TX	OFF
	FONE	0V 動作する	出力調整用 低抵抗VR	ON	OFF	ON	TX	ON
信	CW	Key操作により0または-50V	出力調整用 低抵抗VR	OFF	OFF	ON	TX	ON

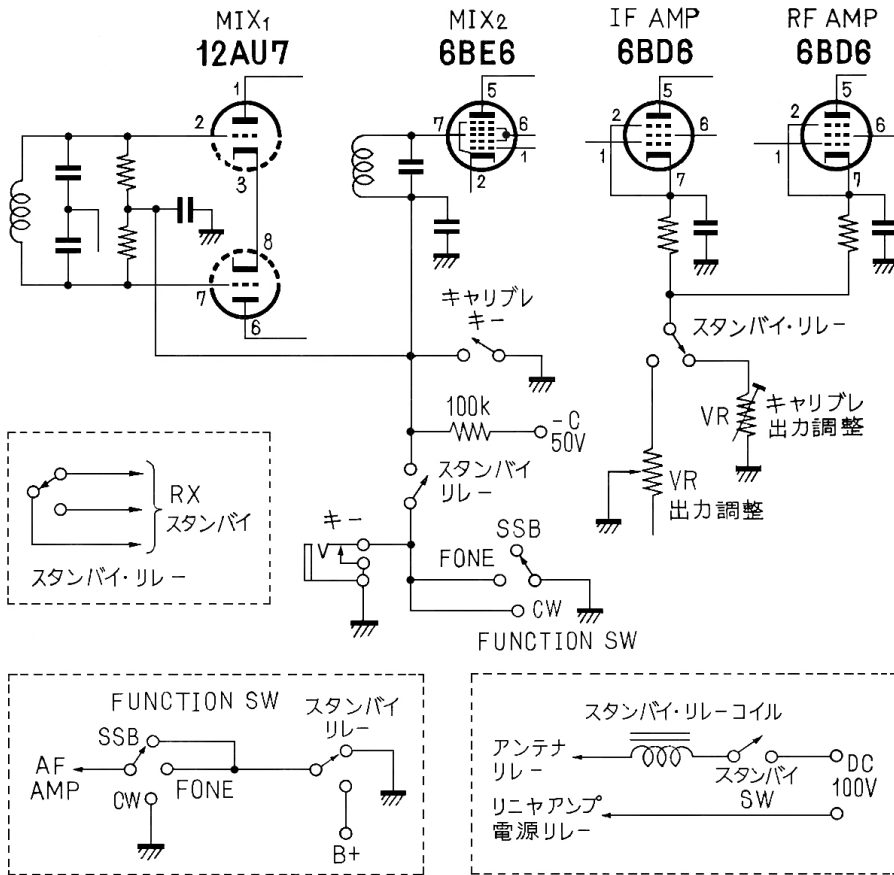
第11図 SSBエキサイタ全回路 (右ページ下につづく) <コイルデータは60ページ>



* C₇: IFTに付いていたもの (T₁)

* 特集 SSB送信機のDからAまで

第10図 スタンバイ、キーイング回路



第11図のデータ

- VR₁ …出力調整VR (パネル面に出す)
- VR₂ …キャリアレ調整VR半固定
- VR₃ …AFゲイン
- VR₄ …MODバランスVR半固定
- VR₅ …MIXバランスVR半固定
- S₁ …SSB/A3/A1切替スイッチ (パネル面へ出す)

- S₂ …キャリアレSW (Key 1, パネル面へ出す)
- S₃ …電源SW (パネル面へ出す)
- S₄ …スタンバイSW (Key 1, パネル面へ出す)
- r₁ …キャリアヤ注入リレー (100V DC型)
- r₂ …スタンバイリレー24VDC型
- VC₁~VC₅ …BC-1000用ジャンクバリコン (連動)

* かけて調整します。

我ながら、うまい考えと思っています。

(7) キーイング、スタンバイ回路
スタンバイの受信状態でも各OSCは発振をつづけ、MIX₁、MIX₂のみが高バイアスで死ぬようにしてあります。キーイングは同じくMIX₁、MIX₂のブロッキング・バイアス・キーイングです。

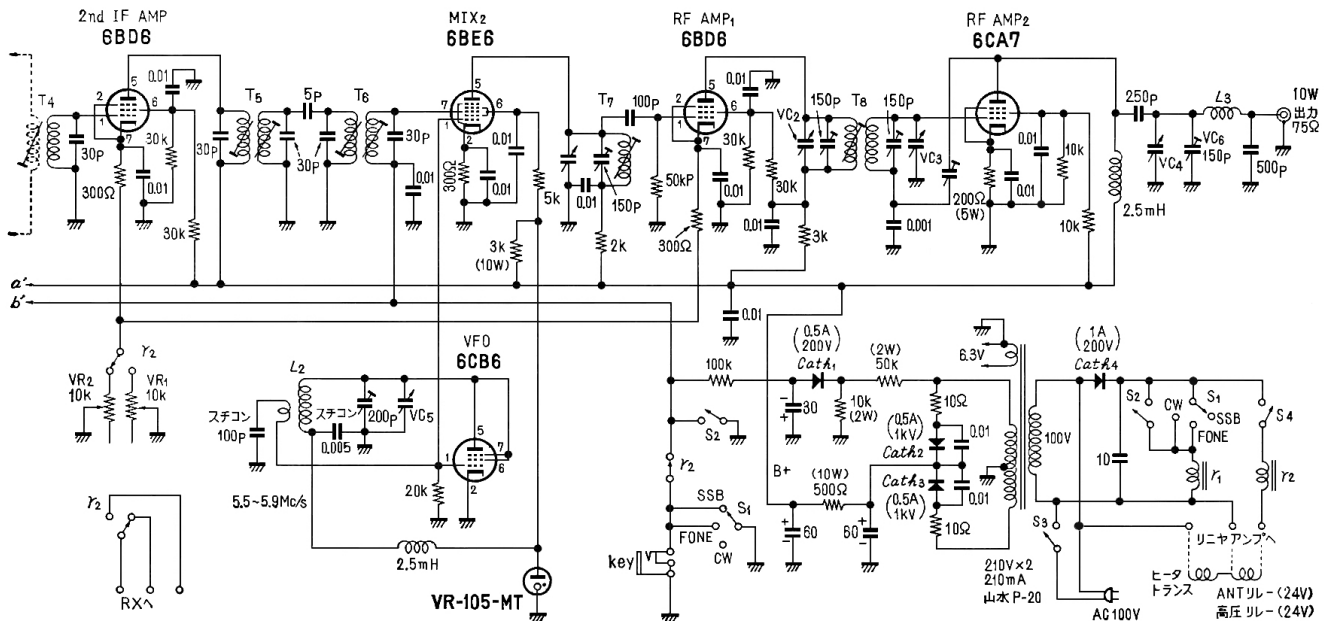
キーイングおよびスタンバイ回路のみぬき出して書いたのが第10図でその動作は第3表のようになります

(8) 電源

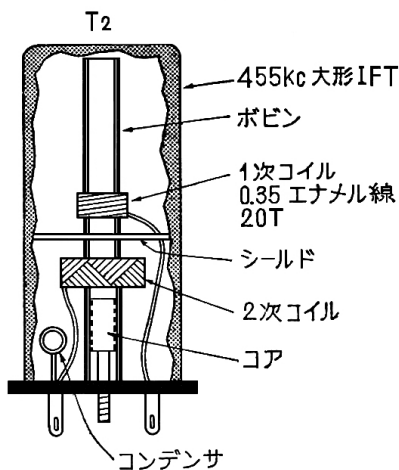
山水のステレオ・アンプ用パワー・トランス P-20 とシリコンダイオードの組合せで+230Vを得ています、スタンバイ・リレー、キャリア再注入リレーの電源は AC100V をセレン整流器で整流し、また、ブロッキング・バイアス用-50VはトランスのB巻線を抵抗で分割しセレン整流器で直流になおしています。

シリコン整流器は最近安価に出まわっていますし、本機のような低電圧大電流用としては、スペースもとらず真空管のように発熱もしないので最適です。しかし、ピーク・カレントに弱いので注意を要します。抵抗とコンデンサの保護回路が必要です。

本機の全回路図を第11図、コイル



* 特集 SSB送信機のDからAまで



第4表 コイルデータ

T₁ …455kc 用小形 IFT。一次側は同調コンデンサ C_T をとりはずして使用する。
T₂ …455kc 用大形 IFT。一次コイルをほどき、二次コイルから 5% はなして 0.35 エナメル線を 20 回ガラ巻き、一次・二次間はシールドしたほうがよい。

T₃ …455kc 用小形 IFT。
T₄~T₆ …FM 10.7Mc 用小形 IFT で、同調コンデンサ 20pF のもの。20pF を 30pF にかえて使用する。ただし、**T₄** の一次側は 60pF × 2 とする。
T₇, T₈ …22% 角 IFT キットの 8% φ ボビンに、一次二次とも 0.5 エナメル線を 9 回、一次二次コイルは 12% はなす。100pF のコンデンサを仮につなぎ、ディップメータであたって、15.24Mc に同調するようコアを調整しておくこと。
L₁ …8% φ コア入りボビンに 0.5 エナメル線を 12 回。
L₂ …16% φ タイトボビンに 0.5 エナメル線を 17 回 (プレートコイル) 3 回 (グリッドコイル)
L₃ …16% φ ベークボビンに 0.8 エナメル線を巻き、100pF コンデンサを仮につなぎディップメータであたって、15.24Mc に同調しておくこと

定しました。
 その結果、4.03Mc 及び 4.16Mc をえました。

各種のストレー容量 C_o' を 20pF と仮定し、VC の容量変化を ΔC とすると、

$$\frac{(C_o + C_o') + \Delta C}{(C_o + C_o')} = \left(\frac{f_2}{f_1}\right)^2$$

となります、 $C_o = 400\text{pF}$,
 $C_o' = 20\text{pF}$, $f_1 = 4.03\text{Mc}$,
 $f_2 = 4.16\text{Mc}$ を代入しますと、

$$\frac{400 + 20 + \Delta C}{400 + 20} = \left(\frac{4.16}{4.03}\right)^2$$

$$= 1.032^2 = 1.065$$

したがって
 $420 + \Delta C = 1.065 \times 420$
 $\Delta C = 0.065 \times 420 = 27\text{pF}$
 これで VC の容量変化は、27pF であることがわかりました。

(3) VFO タンク回路

$\Delta C = 27\text{pF}$ の変化で、VFO のタンク回路は 5,495 から 5,895kc まで変化しなければなりません。したがって、ストレー容量をも含めた VFO タンク回路の固定コンデンサ C_1 は、

$$\frac{C_1 + \Delta C}{C_1} = \left(\frac{5,895}{5,495}\right)^2$$

より、 $C_1 = 170\text{pF}$
 また、 L_{osc} は 170pF のコンデンサとタンク回路を形成して、5,895kc に同調するように作れば良いことがわかります。また、この L_{osc} を 100pF のコンデンサと組合せれば、

$$\frac{170}{100} = \left(\frac{f_x}{5,895}\right)^2$$

より、 $f_x = 7.56\text{Mc}$
 に同調するはずで、つまり、170pF の正確なコンデンサはなかなか

表を第4表にあげておきます。

7. 同調回路の設計

(1) VFO の発振 VC と RF AMP の各同調回路 ここは BC-1000 用の 5 連 VC をもちいてトラッキングをとっています。

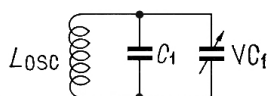
ここでは周波数の変化範囲がきわめて、わずかですから 2 点調整を考えれば充分と思います。基本的には第12図のように、VFO のタンク回路が 5,495 から 5,845kc 変化する間に RF AMP のタンク回路が 14,000 から 14,350kc まで変化するようになれば良いものと考えますが、VC のはじからはじまでで 14,000~14,350

kc では、VC の Max と Min 点でダイヤル目盛が不均一となりそうなので、VC Max 14,000kc, VC Min で 14,400kc となるよう設計します。

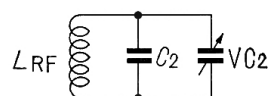
(2) VC の容量の測定

ジャンクの BC-1000 の VC の容量が正確にはわかりませんので、第13図のように有り合せのコイルと、有り合せのなるべく容量の正確そうなコンデンサ C_o (私の場合、富士電気の容量偏差 1% 以内のスチコン 100pF を 4 個並列接続で 400pF とした) を VC に接続し、トリマは Min とし、VC Max 及び Min のときの共振周波数を、グリッド・ディップメータを受信機で較正しながら測

(a) VFO 同調回路



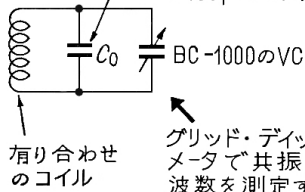
(b) RF AMP 同調回路



第12図 同調回路の設計

- VC₁, VC₂ の最大容量で
 (a) … 5,495kc (b) 14,000kc
- VC₁, VC₂ の最小容量で
 (a) … 5,895kc (b) … 14,400kc

なるべく容量の正確なコンデンサ (400pF とした)



第13図

グリッド・ディップメータで共振周波数を測定する

$C_o = 400\text{pF}$ $C_o' = 20\text{pF}$
 VC Max … $f_1 = 4.03\text{Mc}$
 VC Min … $f_2 = 4.16\text{Mc}$

* 特集 SSB送信機のDからAまで

入手出来ませんから、入手しやすい100pFのコンデンサと組合せたとき7.56Mcに同調するようなコイルを巻けば良いことになります。

(4) RF AMPタンク回路

RF AMPのタンク回路にこのVCをそのまま使うとΔCが大きいためHi-Cになりすぎますから、VCのロータ4枚のうち3枚をぬいてロータ1枚、つまり

$$\Delta C' = \frac{\Delta C}{4} = 6.7\text{pF}$$

として(3)と同様の計算をすると

$$C_2 = 110\text{pF}$$

また、 L_{RF} は100pFのコンデンサと組合せて、15.24Mcに同調するように作れば良いことがわかりました

8 構造と部品の

配置, その他

エキサイタは40×20×15cmの、ちりめん黒色のメタルケースに組込んであります。

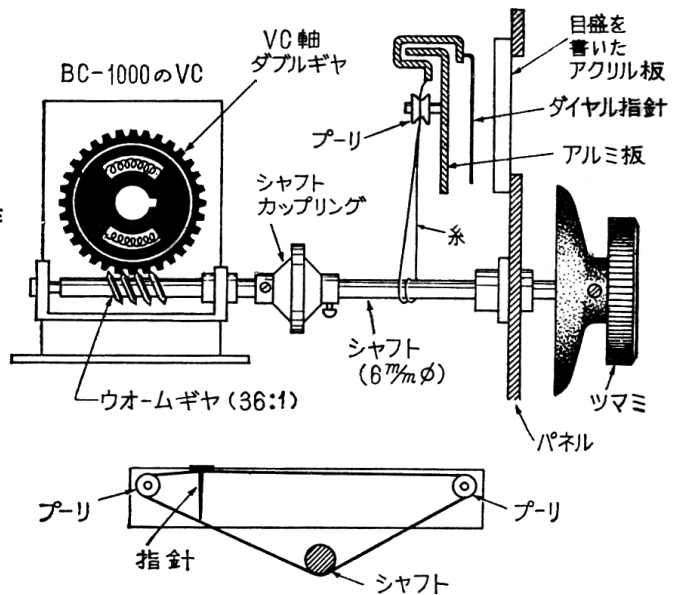
パネル面には長さ38cmの大きな横行ダイヤルと、中央に大きなダイヤルつまみがあり、つまみ一回転で約25kc、ダイヤルは一目盛10kcに目もってあり、約8%間かくですから1kcまでは充分読みとれます。

左下にはMICジャック、スタンバイSW、電源SW、また右下には出力調整VR、FUNCTION SW、KEYジャックが配置され、その他のふだん不要なつまみは一切パネルに出してありませんので、大変すっきりしています。

ダイヤルは第14図のように、ダイヤルつまみが約18回転することを利用して自作したのですが、VY FBに動きます。

シャーシ上の部品配置は大きなVC、VFO LC BOXトランス等でほとんどきまってしまう、本機の場合は第15図のようになりました。

第14図
ダイヤルの自作

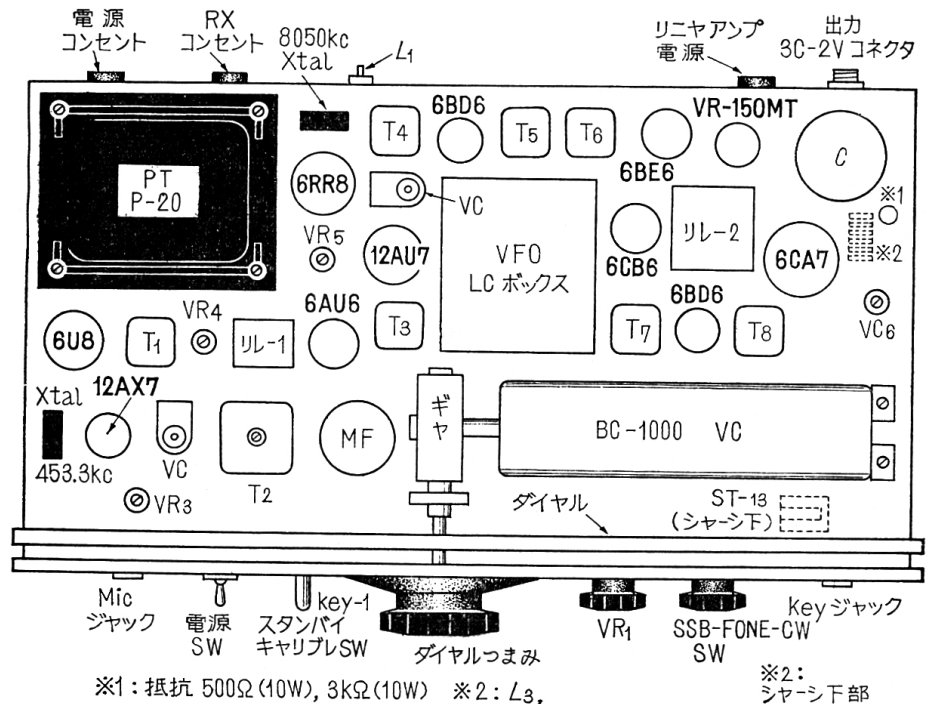
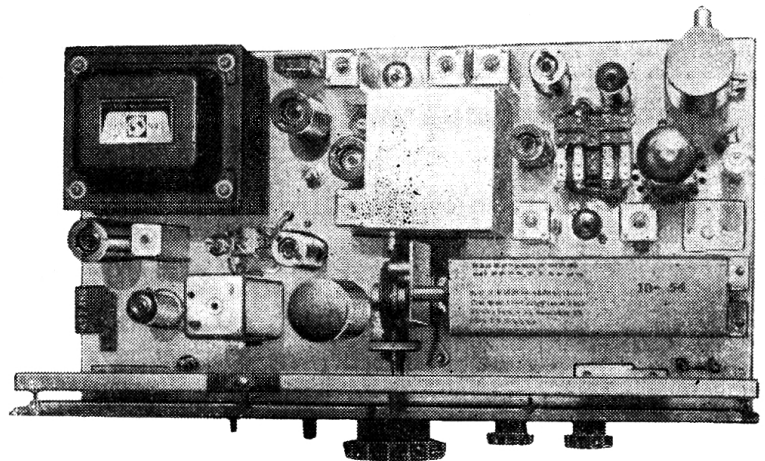


9 調整のポイントと 試作結果

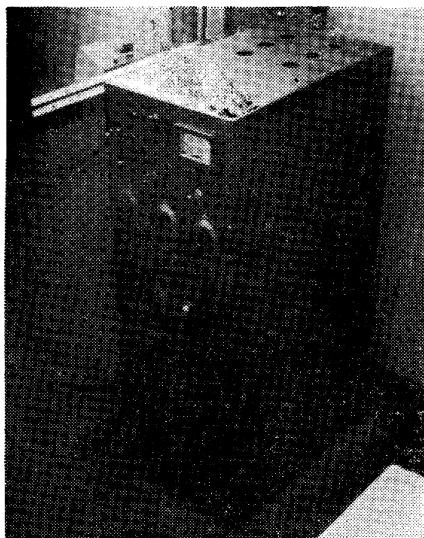
(1) AF AMP

低周波トランス ST-13 の二次側に600Ωのレシーバをつなぎ、MI

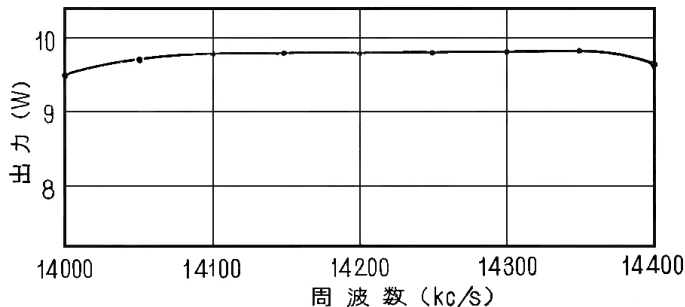
第15図
シャーシ上の部品配置



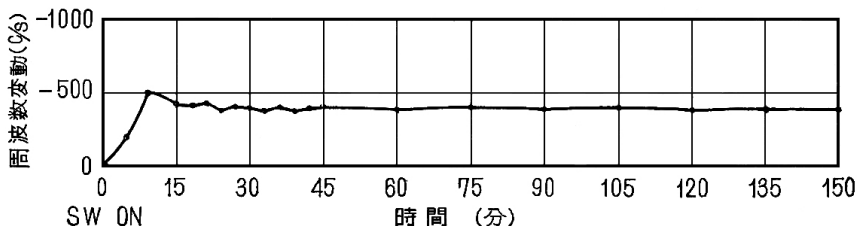
* 特集 SSB送信機のDからAまで



第16図
出力周波数
特性



第17図
VFOの
周波数変動



＜シャックの窓ぎわに置かれたリニヤアンプ(上)と電源(下)のラック＞Cの前で声を出して見て、良い音質で、適当な大きさの音が聞こえればOKです。

(2) MOD

キャリア・バランスの100Ω VRとセラミックコンデンサを調整しキャリアもれが最少になるよう調整します。もしVRやVCをどちらかに廻しきったところで最少になるようでしたら、VRの両端の抵抗の値やVCならIFTの反対側のアームにとりかえて見て下さい。

本機の場合、MICの前で「本日は晴天なり」といって自分のRXで受信し、SメータがS9+40dBの点に受信機の感度を調整し、MICをぬくと、Sメータは全然ふらなくなります。したがってキャリア・リークは90dB以上あるものと思います。

(3) MIX,

MODと同じ要領でVRとVCを

調整します。本機の場合、キャリアもれは、受信機の感度を最大にしてさがすとビートがかすかにかかりますがSメータはふりません。また、イメージは、Sメータもふらず、ビートも検出出来ませんでしたので、まず上出来と思っています。

(4) IF AMP

1st IF AMP, 2nd IF AMPとも出力最大になるようIFTのコアを調整します。

(5) CAR OSC, XTAL OSC

出力同調回路を調整した後、プレート、スクリーン電圧を調整し、電圧をあげても出力が増加しなくなる点に固定します。

(6) RF AMP

中和をとった後、RXのトラッキングと同じように、VFOのトリマと各RF AMPの同調回路を調整しておきます。

本機の場合、周波数とパワーの関

係は完全にフラットで、第16図のようになりました。出力は最大約10Wです。

(7) VFO安定度

電源SW投入直後からの周波数変動をしらべて見ましたが第17図のようにきわめてFBなものです。

周波数は14100kc 温度10°Cでした。

(8) 音色, サイドバンド・アッテネーション

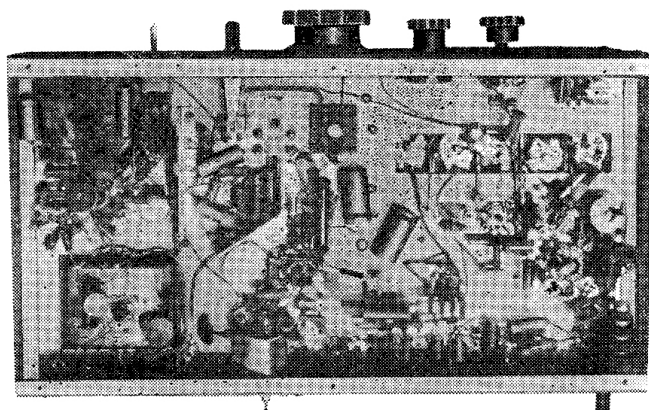
測定器の関係で測定出来ませんでしたが、JAおよびDXの各局からきれいなSSBだとのレポートをいただいていますので安心してあります。

MFの特性から400%におけるサイドバンドアッテネーションは少なくとも40dB以上あるものと思っており、ほぼ満足すべきエキサイタができたと自負しています。

エキサイタは出来ましたが、本格的にDXとの交信を楽しむためには多少QROせねばなりません。

もちろんエキサイタのみを使ってローパワーでSSBを楽しむことも始めのうちは味がありますが、やはりSSBとて、一発必中をめざすには、ある程度のパワーが必要となります。

パワーを上げるのに、C級アンプを使ったのでははずみが出て、使いものになりませんから、次にご紹介するリニヤ・アンプを作ることになります。



△
エキサイタの
シャーシうら
▽

813パラ

リニヤ・アンプ

さて、つぎはリニヤ・アンプと高圧電源にかかりましょう。

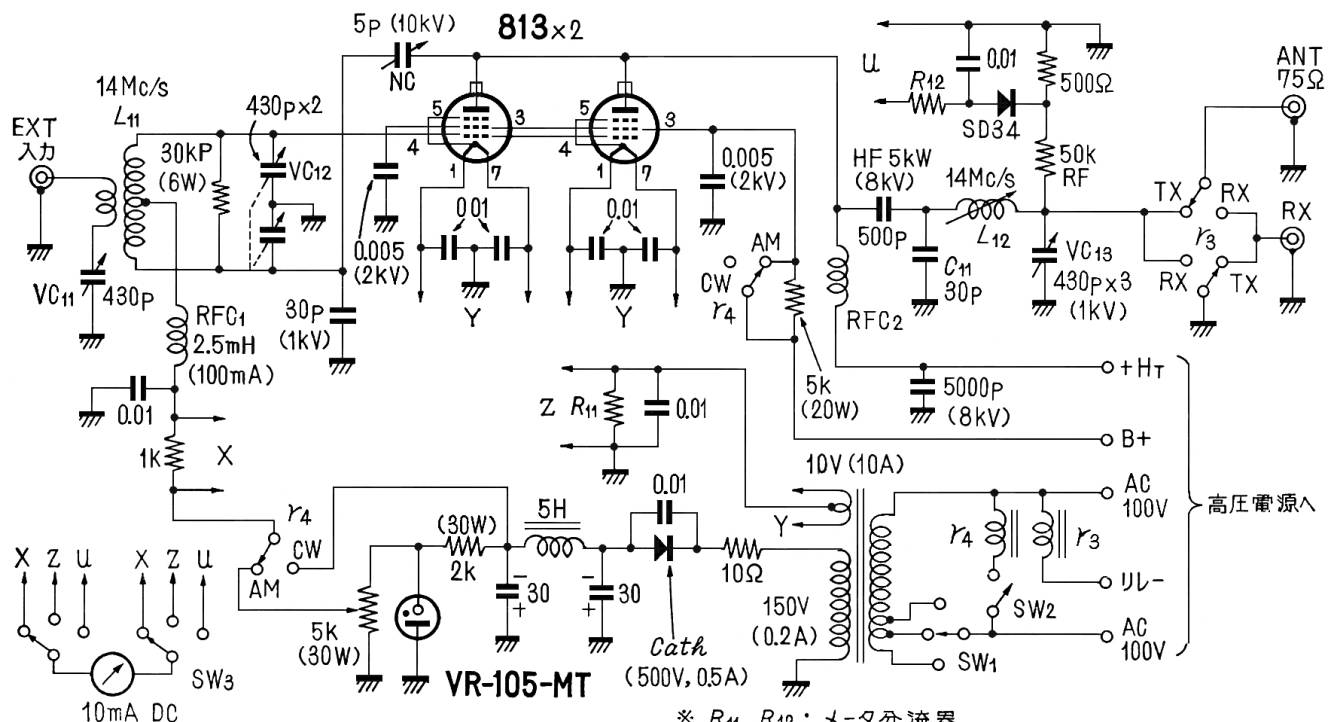
1. リニヤ・アンプの出力管はどう選ぶ

CW, Fone 用送信機でおなじみのパワー管は、ほとんどすべてSSB用として使えますが、その中でもドライブ・パワーが少なくすむ、Hi-gm 管のほうが使いやすいものです。

CQ出版発行の「SSBハンドブック」p.97に、各種パワー管をSSBで使用したときの動作例が出ています。この表と、第5表のSSB用最適パワー管の表を参考にして話を進めましょう。

たとえば、出力50W (PEP) のリニヤ・アンプを作りたいときには第5表から、6146, 807などが最適であることがわかります。

第18図 リニヤ・アンプの回路



r₃ … アンテナリレー (24VDC)
r₄ … CW-AM切替リレー
SW₁ … 電源電圧切替スイッチ

さらに前記SSBハンドブックの表から、6146を使用するならプレート電圧600VでA_{B1}級動作をさせ49Wの出力が得られることがわかります。

私の場合、ライセンスが移動局ですから、出せるパワーは50Wまでとなり、したがって6146程度の出力管でよいこととなりますが、ライセン

スの関係でプレート電圧1500V, スクリーン変調で出力50Wを出す必要がありますので、SSBのときにはもったいないのですが813パラとしました。しかし、移動局をやめ、固定局に変更した場合は、そのまま入力1kWとして使えるよう考慮してあります。

2. 使った回路について

第18図に示すとおり、何の変哲もない回路です。変わっている箇所は出力タンク回路πマッチのプレート

第5表 出力とその最適パワー管の表

出力	最適パワー管
10W以下	6CL6 (A _{B1}), 2E26 (A ₁ , A _{B1}), 6793 (A _{B1})
50W以下	2E26 (A _{B2}), 1614 (A _{B1}), 6146 (A _{B1}), 807 (A _{B1}), 837 (B), 6816 (A _{B1}), 832A (A _{B1}), 829B (A _{B1})
100W以下	6146 (A _{B2}), 807 (A _{B2}), 809 (B), 829B (A _{B2}), 6524 (A _{B2})
300W以下	811A (B), 805 (B), 828 (A _{B1}), 4-65A, 813 (A _{B1}), 4-125A (A _{B1}), 7094 (A _{B1}), 4 X 150A (A _{B1}), 4 X 250B (A _{B1})
500W以下	813 (A _{B2}), 4-250A (A _{B1}), 304TL (A _{B1})
500W以上	4-250A (A _{B2}), 304TL (B), 833A (B), PL-6569 (B), 4-400A (A _{B1}), 810 (B), 800 (B)

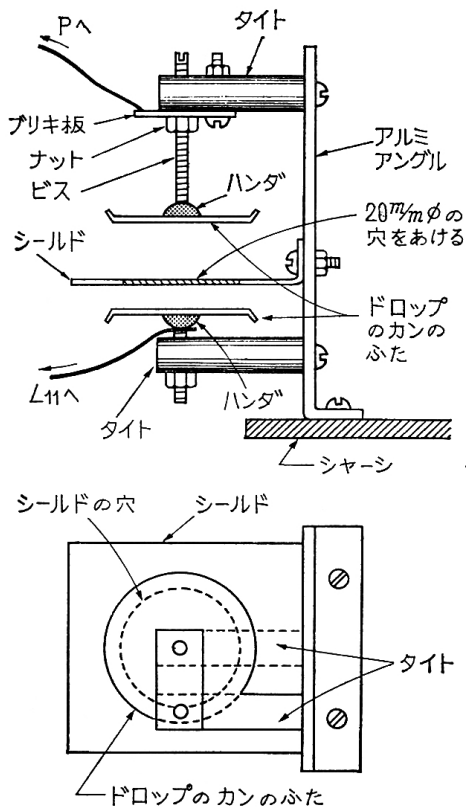
注 A_{B1}…A_{B1}級動作 A_{B2}…A_{B2}級動作 B…B級動作
A₁…A₁級動作

* R₁₁, R₁₂: メータ分流器

SW₂ … CW-AM切替スイッチ
SW₃ … メータ切替スイッチ
(I_g, I_c, P_{out})

VC₁₁, VC₁₂, VC₁₃…受信用430pF, (VC₁₁単連, VC₁₂二連, VC₁₃三連バリコン)

第19図 中和コンデンサの自作



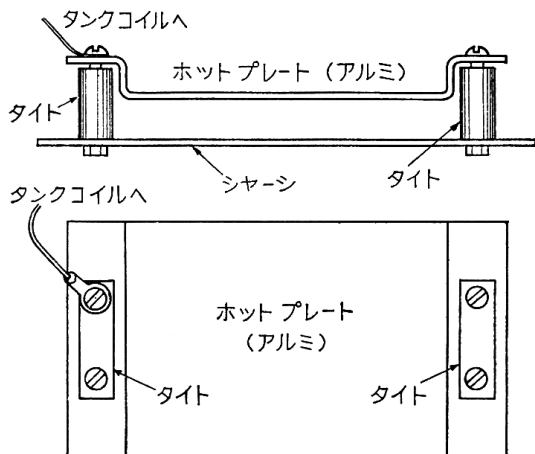
側コンデンサが固定になっていて、ロードは、可変インダクタンス L_{12} とアンテナVCによって行なっている点と、CW運用時は SW_2 を切替えるとリレー r_4 が動作して、バイアス電圧、スクリーン電圧を変えCクラス動作となることです。

また、メータは、グリッド電流 I_g カソード電流 I_c のほか、出力パワー P_{out} のモニタも出来るよう、SD34を1個付けてあります。

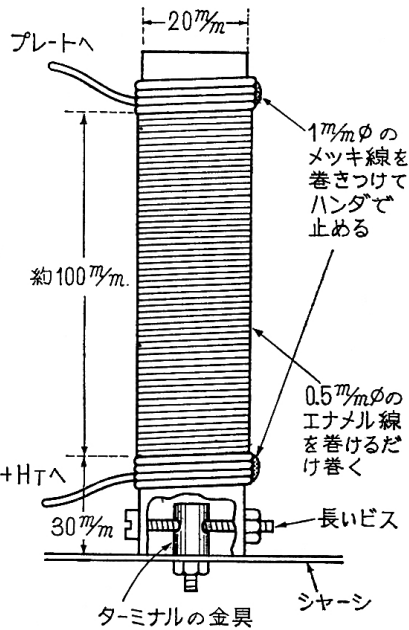
3. 特別な部品は自作する

現在のところ、本機はプレート電

第21図 タンクコンデンサの自作



第20図 RFCの自作



圧も低く、出力50W程度で使っていますが、近いうちにQROも考えていますので、高圧のかけられそうな所は、QROにもたえられるよう、FBな部品を使ってあります。

(1) 中和コンデンサーNCの自作

第19図のように、アルミ板、タイト・インシュレータ、プリキ製のドロップの罐のふたなどで自作しました。NCにはこのセットの中で一番高い直流、高周波の電圧がかかりますので、絶縁には注意する必要があります。

(2) プレートRFCの自作

プレート回路のRFC₂は高周波の高い電圧がかわり、市販品の中に使えそうなものはありません。トリオのRFCなどでもすぐに焼けてしまいます。

そこで手持ちの20mmφ長さ13cmのタイトボビンに1.0mmエナメル線を約10cmの長さに巻けるだけ巻きソレノイドコイルとし、使っています。第20図を参考にしてください。

(3) プレート・タンク・コンデンサC₁₁の自作

本機の場合、ジャンクの可変インダクタンス L_{12}

とアンテナVCでロードの調整を行ない、プレート・タンク・コンデンサは固定となっています。これも、アース側はシャーシとし、アルミ板のホットプレートとタイトのスペーサを使って第21図のように自作しました。

平板コンデンサの容量は、平板の面積 S [m²]と極板の間の距離 d [m]がわかれば次式で計算出来ます

$$C = 8.855 \times 10^{-12} \times \frac{S}{d} \text{ [F]} \dots (1)$$

また、コンデンサの耐圧は1%あたり1kVと考えれば良いと思います。

たとえば、耐圧3kV、容量50pFのコンデンサを自作したいときには耐圧3kVですから、

$$d = 3 \times 10^{-3} \text{ [m]}$$

$$C = 50 \times 10^{-12} \text{ [F]}$$

ここで(1)式を変形して

$$S = \frac{1}{8.855} \times 10^{12} C d \text{ [m}^2\text{]} \dots (2)$$

つまり

$$S = \frac{1}{8.855} \times 10^{12} \times 50 \times 10^{-12} \times 3$$

$$\times 10^{-3} = \frac{15}{8.855} \times 10^{-2}$$

$$\div 1.7 \times 10^{-2} \text{ [m}^2\text{]}$$

$$= 170 \text{ [cm}^2\text{]}$$

つまり極板の面積170cm²、極板のすきま3%のコンデンサを作れば良いことがわかります。

(4) 可変インダクタンス L_{12}

アメ・ジャンのローディングコイルと称するもので、ボビンの直径6cm、3%の銀メッキ線を18回巻いたもので、つまみを回転すると、ボビンがまわり、タップの位置が変わりインダクタンスが変化するものです。入手困難な場合は、エアダックスコイルにして、その代わりC₁₁をVCにすればOKです。

(5) コンデンサの耐圧について

プレート回路のコンデンサ特に500pFには、高周波の電流が流れますので、直流的な耐圧ばかりでなく、HFにおける電力耐圧にも注意する必要があります。本機は直径約8cm

* 特集 SSB送信機のDからAまで

のチタコンを使っています。

グリッド回路のVC₁₁, VC₁₂は受信用VCで充分です。また、アンテナVC₁₃は、高電力の回路ですから、立派なVCが必要になりそうですが、フィードのインピーダンスが低く、75Ωですから、多少のミスマッチは考慮しても、受信用の3連VCで大丈夫です。

4. リニヤ・アンプの

部品配置と構成

リニヤ・アンプは幅25cm、高さ23cm、奥行40cmのメタル・ケースに組立てております。写真にシャーシ上の配置例を示します。

5. 生かすも殺すも

電源しだい

リニヤ・アンプのスクリーングリッド及びプレート用の高圧電源です。電源は、ともすれば、簡単にかたづけられる傾向がありますが、こしぬけのSSB、マイナスモジのFONE、チャピリのあるCWなどの原因は電源にあることが多いものです。また、セットの中で一番費用のかかるのも電源部ですから、ゆめゆめおろそかには出来ません。

第22図 高圧電源の回路図

本機の高圧電源は、プレート電源の整流に2H66のブリッジを、またスクリーン電源は、プレート電源巻線のセンタ・タップから取り出し、807と12AU7、VR-150MTからなる電子的なスタビライザをおこなっております。

プレート電源もスタビライズするにこした事はないのですが、経済的に不可能ですので、あきらめました。

高圧電源の結線は第22図にあげておきます。

6. 安定電源の動作について

スクリーン電源・スタビライザの動作を簡単に説明します。

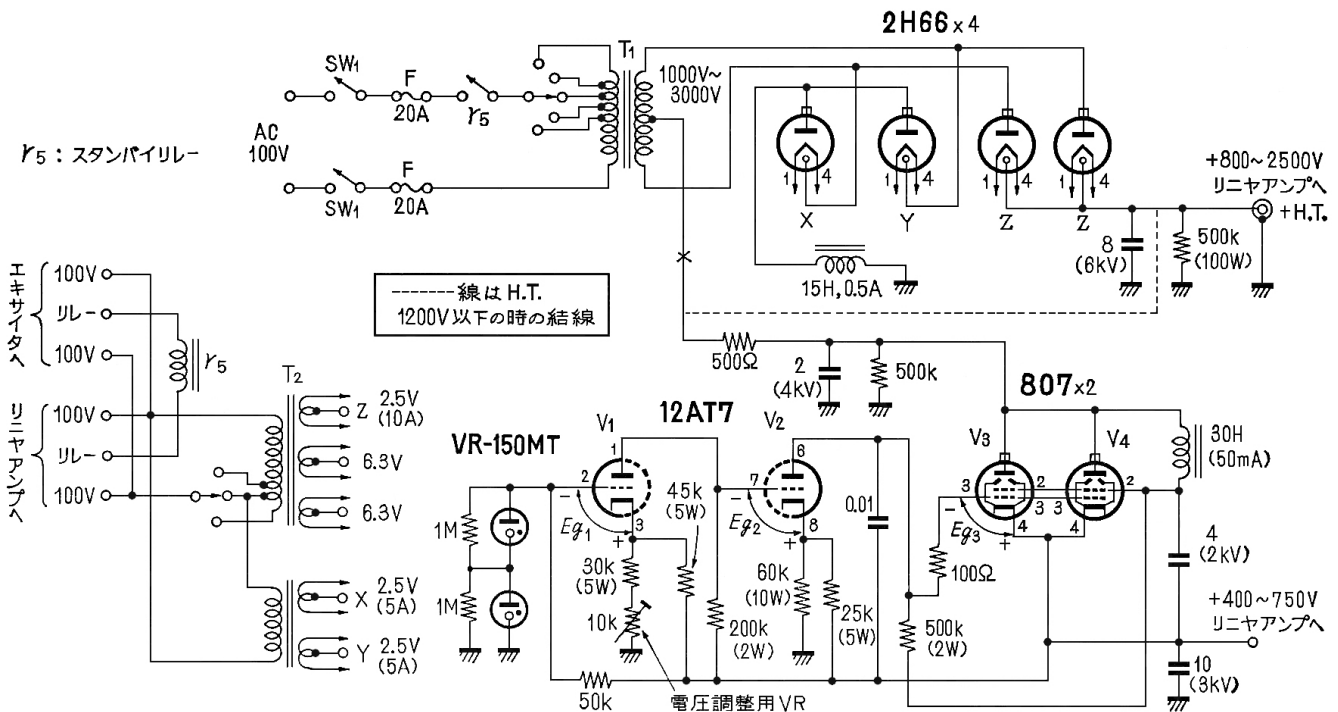
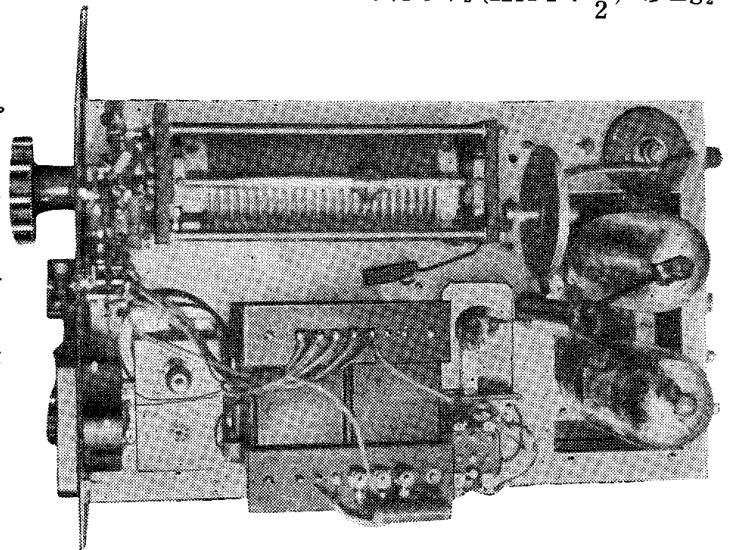
スタビライザの12AT7, 807はD・C増幅器になっています。

例えば、リニヤ・アンプのスクリーン電流が増加し、そのためスタビライザの出力電圧、つまり10μF (3kV) コンデンサの両端の電圧が若干低下したとします。

そうすると、V₁ (12AT7 $\frac{1}{2}$) のカソード電圧も低下しますがV₁のグリッド電圧はスタビロVR-150MT 2本で安定化してあり変化しないので、Eg₁が上昇し、V₁のプレート電流が増加します。

このためV₂ (12AT7 $\frac{1}{2}$) のEg₂

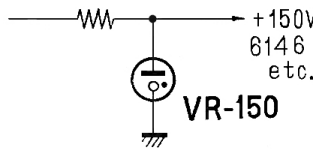
△
リニヤアンプのシャーシ。右側は813そして上にバリL、下にヒータバイアストランスなどが見える。
▽



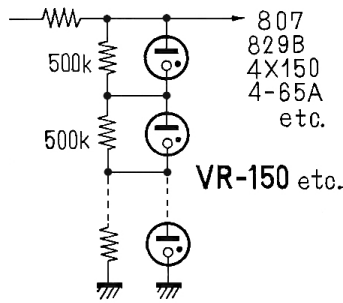
* 特集 SSB送信機のDからAまで

第23図 スクリーングリッド電源用各種スタビライザ

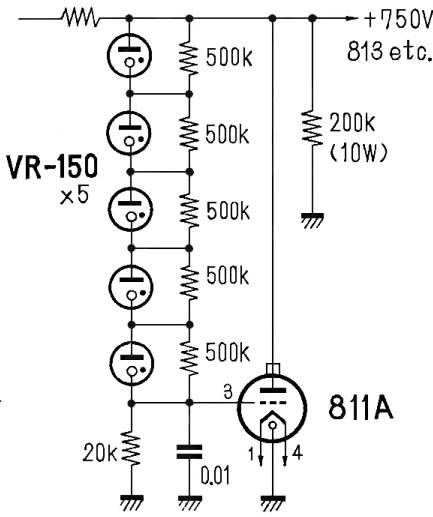
(1) スタビロを1個使用したもの



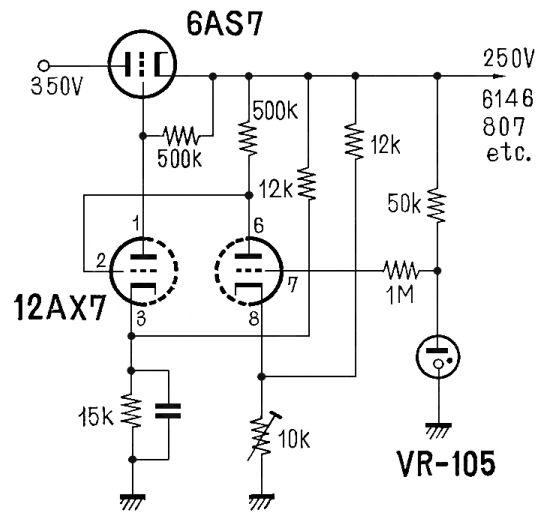
(2) スタビロを数個使用したもの



(3) パラレル・バルブ形



(4) シリーズ・バルブ形



第24図 スクリーン・スタビライザの特性

が低下し V_2 のプレート電流は減少し、したがって V_3, V_4 (807パラ) の Eg_3 が上昇し V_3, V_4 の内部抵抗が減少し、スタビライザの出力電圧は上昇し、正規の値となります。

出力電圧が、何らかの原因で上昇したときには、今と逆の動作で、出力電圧は正規の値にまで下げられ、スタビライザとして動作することとなります。

また、このスタビライザ回路は電源リップルを減少させるはたらきもあり、スタビロなどにくらべ、安定化特性もすぐれています。

出力電圧のセッティングは V_1 のカソードのVRで行ないます。

スタビライザの容量は V_3, V_4 のプレート損失でできます。

たとえば、スタビライザの入力電圧 (807のプレート電圧) 1200V、

スタビライザの出力電圧 750V、807のプレート損失 $30W \times 2$ なら、出力電流は最大

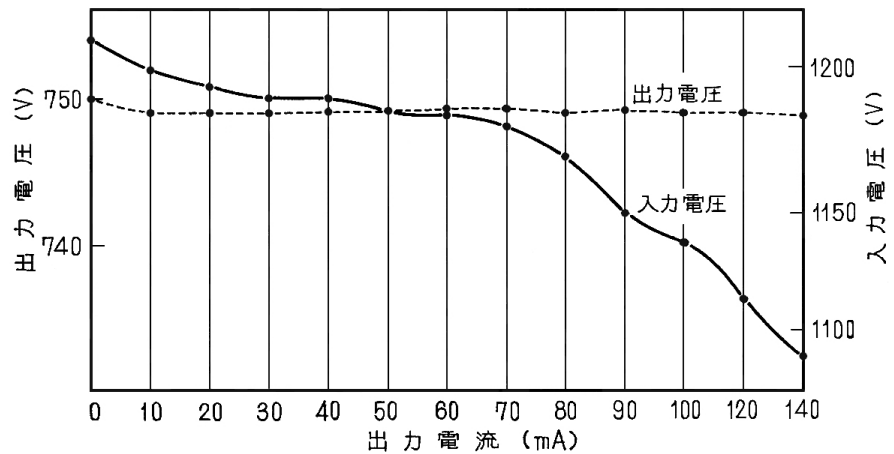
$$\frac{30 \times 2}{1200 - 750} = \frac{70}{450} = 0.155A$$

つまり 155mA となります。

第23図に簡単なスクリーン電源用スタビライザの回路を二、三あげておきます。

7. 高圧電源の配置と構成

高圧電源は写真にあるような幅25



cm, 高さ50cm, 奥行40cmのメタルケースに組込んであります。

エキサイタ、リニヤ・アンプ、高圧電源共黒のちりめん焼付で色調の調和をはかり、統一のとれたスタイルで、見た目にもスッキリと美しくまとめられています。

8. リニヤ・アンプの試作結果

リニヤ・アンプの中和コンデンサ調整に多少てこずりましたが、その他は、リニヤ、高圧電源共、何んのトラブルもなく正常に動作、若干、気のぬけた感じがしています。

おせじかも知れませんが、世界各国のサイドバンドのOMさんから、FBだとのレポートをたくさんもらいましたので、まずまずと思っています。

スクリーン電源スタビライザの動を測定したデータがありますので第24図にあげておきます。

家庭電気品なみにコンパクトでデザインも美しく、安全に、安心して使用出来るリグという目的は達せられたと思っています。

シャーシむき出しのバラック・セットや部屋中にはりめぐらしたコード類、足のふみばもないシャックはけっして自まん出来るものではありません。我々も、シャックを美しくするよう心がけようではありませんか。

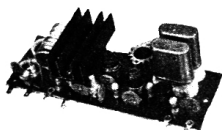
SSBがいいことはわかっているが、なかなか手が出せない...という方のために、シングルバンド・エキサイタとリニヤ・アンプの例をご紹介します。お役に立てばありがたいと思います。

新製品トヨムラの各種TR式ユニット

50Mc用1.2W送信機

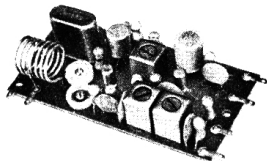
ATX-2D ¥ 5,500

12V~18V, 2 波切換
コレクター接地、パラレル



50Mc用 CMC-6A-D ¥ 3,200

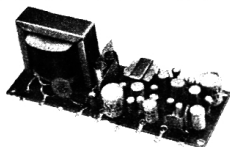
6V~9V, 出力 600kc~11Mc各種
複同調使用. 感度1/2μV



1.5W低周増幅器

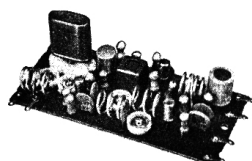
MA-2 ¥ 3,200

12V~15V, 出力インピーダンス
8Ω 及120Ω, 2SB324PP



144Mc用 CMC-2 ¥ 3,800

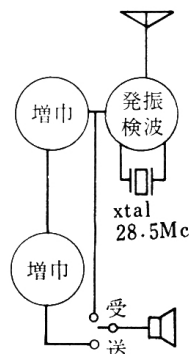
6V~9V, 出力600kc~11Mc各種
複同調使用, 感度1/2μV



クリコン

トランシーバー

簡易TR28Mc



完成品 { 2台1組 ¥ 5,600
1台のみ ¥ 2,900

USA輸入品販売 (積極的に月販を受付ます。詳細お問合せ下さい)

ハーモラント		ハリクラフター		ナショナル		ヒースキット		HG-10	
HQ-100A	¥ 120,000	S-118	¥ 78,000	HRO-60R	¥ 674,950	SB-300	¥ 163,700	HO-10	¥ 50,000
HQ-110A	¥ 150,000	SX-115	¥ 375,000	NC-60	¥ 39,950	SB-400	¥ 216,000	ドレイク	
HQ-170A	¥ 215,000	HT-32B	¥ 383,000	NC-77X	¥ 45,950	RX-1	¥ 222,000	2B	¥ 168,000
HQ-180A	¥ 250,000	HT-37	¥ 278,000	NC-121	¥ 85,950	TX-1	¥ 201,000	ハイゲンイ (ANT)	
HQ-105TR	¥ 135,000	SX-117	¥ 249,000	NC-140	¥ 124,950	HR-20	¥ 112,000	TH-4	¥ 70,000
HQ-145X	¥ 163,000	SX-122	¥ 189,000	NC-190	¥ 144,950	HX-10	¥ 265,000	TH-3 (JR)	¥ 42,000
HX-50	¥ 263,000	HF-33B	¥ 530,000	NC-303	¥ 295,950	HX-20	¥ 165,000	DS-1	¥ 18,000
HX-500	¥ 385,000	SR-150	¥ 390,000	NCX-3	¥ 222,000	HA-10	¥ 182,000	248BDT	
		SX-62A	¥ 255,000	NC-400	¥ 523,000	SB-10	¥ 75,000	ダブレット (3.5~14Mc用)	¥ 13,000

国内各社メーカー通信機器価格表

メーカー	型名	品名	完成品	キット	真空管
スター	SR-600	トリプルスーパ	¥58,000(球付)		
"	SR-550		¥29,500		
"	SR-500X	3.5~54Mcハム専用		¥23,000 ¥9,800(球付)	
"	SR-40	高感度受信機	¥10,800(球付)	¥4,850(球付)	
"	R-100	通信型受信機	¥6,000(球付)		
トリオ	JR-300S	SSB高級受信機	¥53,000		
"	TX-388S	SSB高級送信機		¥49,900	
"	SP-16	SSBコンビ用	¥2,950		
"	JR-60	高級受信機	¥31,000	¥23,900	¥3,600
"	9R-59C	通信型受信機	¥25,000	¥14,900	¥1,750
"	JR-200	通信型受信機		¥12,500	
"	TX88A	オールバンド送信機	¥25,000	¥18,900	¥2,500
"	TX-26	50.144Mc送信機	¥15,000	¥10,300	¥2,000
"	TRH-1	ハム用送受信機	¥22,500	¥19,100	¥2,300
"	VFO-1	オールバンドVFO	¥12,000	¥8,800	¥1,200
"	VFO-2	50.144Mc VFO	¥6,500	¥4,200	¥800
"	SM-5	ブリコン	¥12,500	¥9,900	¥600
"	CC-6	50Mcクリコン	¥9,000	¥6,500	¥600
"	CC-2	144Mcクリコン	¥9,200	¥6,500	¥800
"	SP-5	通信型スピーカー	¥1,600		
"	KX-1	送信用コイルキット		¥1,250	
"	CO-3K	75%オシロ	¥33,600	¥17,000	¥6,300

共立のハム用GDM. SWRメーター			
K-108	SWRメーター-52Ω用	1.5~60Mc 壁掛用	¥3,650
K-109		52/75Ω 両用 卓上型	¥5,150
K-110	SWR&出力計	電力1kW迄使用可	¥6,520
K-126	ディップメーター	360kc~220Mc 8バンド	¥7,700

	第一地区普通、書留	第二地区普通、書留	第三地区普通、書留
2kg	¥110 ¥150	¥140 ¥180	¥190 ¥230
4kg	¥160 ¥200	¥200 ¥240	¥270 ¥310
6kg	¥210 ¥250	¥260 ¥300	¥350 ¥390

■全製品送料は別です 上記送料おねがいします。



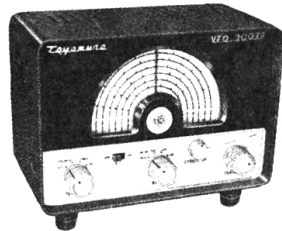
株式会社 トヨムラ電気商会

本店 東京都千代田区外神田 1-13-6
電 253-5201~2 振替東京 19507



QRP-90A

オールバンド送信機
3.5Mc~50Mc
電信 90W
電話 70W
¥29,600 (変調器別)
変調器キャリコン方式
¥2,200



VFO-300TR

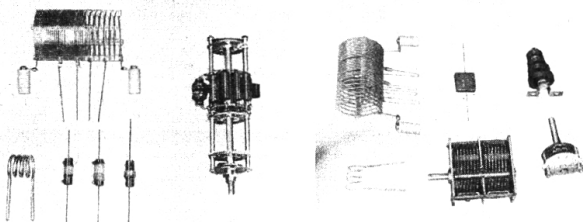
◆オールトランジスタVFO
3.5~50Mcまで使用できる
電源はAC・DCの両用です
完成品(電源別) ¥12,800



TEC-6

◆50Mc用送信機
変調器付完成品 ¥9,800
変調器なし完成品 ¥6,300
セミキット ¥2,300

オールバンド送信機用コイルパック



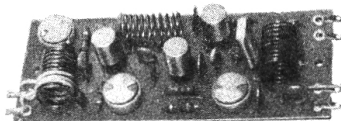
TCP-1

●発振部、終段のキット
●πマッチで耐入力60W
¥1,350(送別)

TFK-2

●終段部のみのコイルキット
●πマッチで耐入力60W
¥1,650(送別)

新発売! 湘南トランジスタクリコン



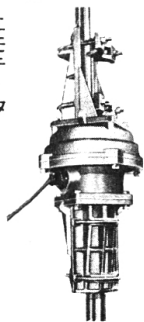
電源
9~12VDC用

TC-6 (50MC) IF 7 MC 又は600KC ¥3,300
TC-10 (28MC) IF 7 MC ¥3,200
TC-15 (21MC) IF 7 MC ¥3,000

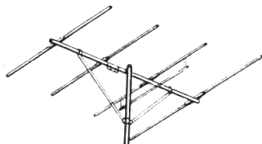
アンテナ回転器

(1月21日より新価格となります)

エモテータ
マスター
ステーク
ベアリング
リング
一式
¥1,400
¥1,500
¥1,600
¥1,700
¥1,800



タニ-のアンテナ



3 Y 6 P (50Mc3素子) ¥2,200
4 Y 6 K (50Mc4素子) ¥4,000
5 Y 6 D (50Mc5素子) ¥5,700
3 Y 10 (28Mc3素子) ¥6,300
5 E 144 (144Mc5素子) ¥2,300
7 Y 2 K (144Mc7素子) ¥2,900
キュービカルキット ¥2,950

ハム の 店

- ◎EMD-101 (ナショナルギャーダイヤル40:1) ¥4,200
 - ◎KGD-1200 (クラニシギャーダイヤル25:1) ¥3,600
 - ◎西村ダイヤル
 - 100°日盛SDS-70A ¥1,600 DMS-70A ¥1,280
 - 2バンド用SDS-70B ¥1,600 DMS-70B ¥1,280
 - 3バンド用 " -70C ¥1,600 DMS-70C ¥1,280
- 短波専用3バンド用DMS-70FC ¥1,600 特注もお受けします。
◎八重洲ダイヤル YD-700型 ¥3,400

◎クリスタルマイク

- (テスコ) CM-20 ¥980 CM-50 ¥580
- (アイワ)クリスタル
 - M-135 ¥800 M-120 ¥1,000 M-22 ¥1,200 M-23 ¥1,000
 - (アイワ)ダイナミック
 - DM-14 ¥1,480 DM-18 ¥2,100 DM-47 ¥3,200 DM-6 ¥1,800
- ◎RFC
 - 1 mH 50mA ¥60 100mA ¥65 200mA ¥100
 - 2.5mH 50mA ¥75 100mA ¥80 200mA ¥120
 - 810pp 変調トランス ¥5,500 P6.6 kΩ CT S2.3, 4.6 kΩ

◎湘南高周波 Ham Kit (総代理店トヨムラ電気)

- CV-1015 21Mc用 ●CV-1010 28Mc用
 - CV-106 50Mc用 ●CV-102 144Mc用
- 各全キット ¥2,000 完成品 ¥2,550

スケール	MRA-38		MRA-45		MRA-52		MRA-65	
	透明	透明	透明	透明	透明	透明	透明	透明
1-500mA	¥480	530	490	580	530	680	600	600
スケール1mA	550	600	500	680	600	800	700	
スケール100μA	650	700		800		950		
AC150V				600	550			
10mA / 150mA				950				

以外のメーカーは特注にて納期後約3週間要す

バルン用コイル

エアダックスコイルDW-50

バルン用コイルとして75Ω同軸と300Ω対称負荷回路用、75Ω同軸と75Ω対称負荷回路用とし、2個1組で変成器が作れるように工夫されています。特にπ型同調回路とフォールデットアンテナなどの整合に非常に便利です。その他広用途があります。
¥650 2個 ¥1,200

ダブルピッチエアダックスコイル
DP-20 ¥380 DP-30 ¥480
DP-25 ¥420 DP-40 ¥580
その他 各種在庫あります。

エアダックスコイル一覧表

ストーク番号	直径mm	長さmm	線径mm	N	μH/T	¥
150816	15	150	0.8	16	0.126	300
150532	15	"	0.5	32	0.247	300
20086	20	"	0.8	6	0.051	300
200816	20	"	0.8	16	0.167	325
200532	20	"	0.5	32	0.335	325
2516	25	"	1.0	6	0.102	300
25116	25	"	1.0	16	0.275	350
250532	25	"	0.5	32	0.553	350
3016	30	"	1.0	6	0.15	350
30116	30	"	1.0	16	0.409	425
4026	40	"	2.0	6	0.286	525
40116	40	"	1.0	16	0.753	500
5026	50	"	2.0	6	0.315	600
50116	50	"	1.0	16	0.8	575
6026	60	"	2.0	6	0.346	700
60116	60	"	1.0	16	0.92	650

ワックスの変調トランス

L U X 型番号	変調低周波出力	整合インピーダンス		変調機終段適合負荷ワックスコイル	¥
		一次	二次		
7AM21	20	6-8 K	3-6-8 K	6BQ5, 6BM8, 7189, 6V6, 6E6, 6R1P15	1,400
7AM41	40	8-10 K	3-5-7 K	7189, 6BQ5, 2E26, 815, 807	1,800
7AM42	40	4-6 K	3-5-7 K	6BQ5, 6CA7, 6R10	1,800
8AM51	120	8-10 K	2-3-4-5 K	6CA7, 6GB8, 807, 6146	3,200
8AM52	120	4-6 K	4-6-8-10 K	6CA7, 4D32, 6146	3,200

真空管 (全品NEC*(-) 東芝,(+) 松下)

VR105MT ¥800	6AV6 ¥200	6U8 ¥350	6DE7 ¥400
VR150MT 800	6AQ8 350	807 300	12BY7A 380
5Y3GT 200	6AL5 260	12AX7 300	6AW8A 450
6CA4 240	6BA6 200	12AT7 350	2E26 (-) 3,500
6X4 190	6BE6 230	6AK5 650	6BZ6 260
6AU6 270	6BQ5 350	6CL6 400	6EA8 580
6AR5 170	6BQ7A 450	5763 550	6BM8 300
6AQ5 270	6BL8 (+) 550	7360 900	

シリコンダイオード

形	Sanken SD-1形シリコンダイオード 拡散形			
	SD-1	SD-1A	SD-1B	SD-1C
最大尖頭逆耐電圧PIV	400V	600V	800V	1000V
最大直流出力電流平均値	500mA	500mA	500mA	500mA
価格	140円	180円	200円	250円
オリジン	SE-05A	B	C	D
	140円	180円	230円	330円



株式会社

トヨムラ電気商会

トヨムラ

- ◎同軸ケーブル (価格/ m)
 - 3 C 2 V 7.5Ω ¥70 同コネクタ ¥500
 - 5 C 2 V 7.5Ω ¥100 同コネクタ ¥550
 - 7 C 2 V (RG11/U) 7.5Ω ¥140 同コネクタ ¥600
- ◎アンテナ線
 - タマゴガイシ 1ヶ ¥10
 - 中線 (0.5φ 7本より線) 1m ¥25
 - 波型ガイシ 1ヶ ¥50
- ◎サワフジ両耳レシーバー
 - SF-20 (2000Ω) ¥420 SF-22 (2600Ω) ¥450
 - SF-24 (4000Ω) ¥470 SF-48 (4000Ω) ¥1,350
- ◎JRC製車載用送受信機 144Mc用に最適、FM用、出力10W、2E26終段、コントロールユニット、MG電源コード、回路図付
 - 完全苺式 ¥30,000
 - CCM-1型 ¥1,900
- ◎キャリコンユニット
- ◎小型Mcリレー 電圧AC、DC、各種あり
 - 接点容量AC100V、5A (無誘導負荷) 絶縁抵抗DC500V、100MΩ以上
 - 接点材料銀酸化カドミウム ER-52 2ab 2回路 2接点 ¥690
 - ER-53 3ab 3回路 2接点 ¥780 ER-54 4ab 4回路 2接点 ¥850
- ◎FT-243型特売奉仕品 ¥430 品質保証!! (3.5~9Mc)
- ◎3倍オーバートン用FT-243型
 - 15~30Mc ¥850 30~45Mc ¥1,000 45~54Mc ¥1,250
- ◎HC-6/U SSB水晶 (LSB、USB) ¥1,000

ミゼットバリコンシャフト付 真鍮製銀メッキ、ステアタイトシリコン加工基板、耐圧0.5KV			
10PF.....¥180	15PF.....¥190	20PF.....¥200	30PF.....¥230
50PF.....¥260	100PF.....¥320	150PF.....¥350	
ミゼットバリコン (トリマ) 短シャフト、トリマー型ロックナット付、価格ソノ他MV-5L型に同じ			
10PF.....¥180	15PF.....¥190	20PF.....¥200	30PF.....¥230
50PF.....¥260	100PF.....¥320	150PF.....¥350	
スプリットステーターバリコン 真鍮製銀メッキ、ステアタイトシリコン加工基板、耐圧0.5KV			
15PF×2.....¥290	20PF×2.....¥310	30PF×2.....¥340	50PF×2.....¥380
スプリットステーターバリコン 送信用、耐圧1KV、ソノ他MV-5W型に同じ			
20PF×2.....¥360	30PF×2.....¥380		
小型送信バリコン 真鍮製ニッケルメッキ、ステアタイトシリコン加工基板、耐圧1KV			
30PF.....¥300	50PF.....¥330	100PF.....¥420	150PF.....¥470
送信バリコン 真鍮製ニッケルメッキ、ステアタイトシリコン加工基板、耐圧2KV			
50PF.....¥440	100PF.....¥780	150PF.....¥950	

- ★タイトピン (山七)
 - 30φ×80 ミゾ付 ¥270 30φ×80 ミゾなし ¥240
 - 40φ×80 " ¥290 40φ×80 " ¥270
 - 50φ×100 " ¥400 50φ×100 " ¥370
- ★シャーシ (アイテアル)
 - アイテアル1号シャーシ 480×245×72 ¥860
 - " 2号 " 383×230×71 ¥620
 - " 3号 " 303×198×60 ¥375
 - " 4号 " 270×155×56 ¥330
 - " 5号 " 233×137×50 ¥180
 - " 6号 " 280×110×50 ¥145
 - " 7号 " 165×100×43 ¥125
 - " 8号 " 140×66×50 ¥95
- ★アンプ・通信機用ケース (アイテアル)
 - S-1 小形アンプケース 277×150×170 ¥930
 - S-2 " 320×185×200 ¥1,500
 - NR-900 受信機用ケース 高1中2用 ¥5,350
 - VF-1 VFO用ケース 210×180×235 ¥2,100
 - GM-3 GDM用ケース 250×90×100 ¥1,000
 - SC-1 ラック用ケース 483×266×278 ¥4,250
 - SL-10 ラックタイプケース 483×252×280 ¥5,300
 - CV-50 50Mcクリコン用 195×155×70 ¥1,890
 - SM-5B 送信機用ケース 410×170×310 ¥4,300
 - TR-C 小形アンプ用ケース 195×155×70 ¥1,200
- ★アンプケース
 - AS-特1 アンプ・測定器用 450×235×230 ¥2,360
 - AS-1 " 380×208×212 ¥1,420
 - AS-2 " 320×190×190 ¥1,050
 - AS-3 " 270×170×160 ¥700
 - AS-4 " 210×150×130 ¥550
 - SS-1 携帯用ハンマートン 340×220×195 ¥1,350
 - SS-2 " 320×200×175 ¥1,250
 - SS-3 " 280×180×150 ¥1,010
- ★各種電鍵 (電通精器)
 - DA-1 オールTR エレクトロニックキー ¥14,000
 - BK-100 半自動電鍵 (バックキー) ¥3,000
 - 複式電鍵 MS-2 ¥2,600 FK-3 ¥2,400
 - HK-1S ¥2,300 HK-3S ¥1,800 HK-4 ¥850
 - コードオシレーター DTO-3 ¥950 TB-101 ¥900
 - (サト-電鍵) ¥550 (モールド台)

本店 東京都千代田区外神田1 13 6
電 253 5201 2 振替東京 19507

新発売!

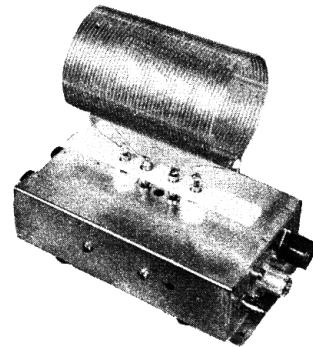
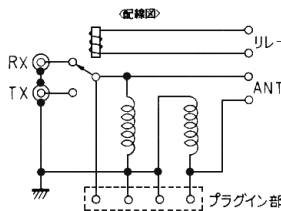
アンテナマッチング用 バランコイル

バランコイルはアンテナインピーダンスを 300Ω→75Ωに変換整合させるもので特にFDアンテナには最適です。

規格

周波数3.5~50Mc 各アマチュアバンド
適合インピーダンス 75Ω対300Ω
使用電力 最大 100W

バランコイルベース BC-1DX



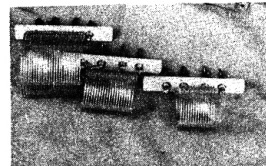
3.5~50Mc 各1個プラグインコイル、リレー、コネクタ、等一式付属
完全一式 ¥5,000

BC-1

これはBC-1DX型よりリレー、コネクタ等を取除いたベースのみ
¥950

バランコイルシリーズ

これは上記のコイルだけのものです、絶縁物はタイト製でプラグイン式ですから簡単にアンテナ整合器が製作出来ます。



- BC-80 35Mc用 ¥780 BC-15 21Mc用 ¥480
- BC-40 7Mc用 ¥630 BC-10 28Mc用 ¥460
- BC-20 14Mc用 ¥530 BC-6 50Mc用 ¥420

東光の高級型メカフィル

FFシリーズ

- MF-455A-060F ¥2,100 ●MF-455A-160F ¥2,100
- MF-455A-120F ¥2,100 ●MF-455A-220F ¥2,100

真空管用Fシリーズメカフィル

メカフィル種別	整合トランス		価格
	入力IFT	出力IFT	
MF-455A-060F	F. IV060	F. OV060	¥2,100
" -120F	F. IV120	F. OV120	"
" -160F	F. IV160	F. OV160	"
" -220F	F. I 220	F. OV220	"

東光の普及型メカフィル

- Hシリーズ Hタイプメカフィル用IFT
- MFH-40K ¥350 20K:5KΩ 30K:5KΩ
- MFH-70K ¥350 50K:5KΩ 各 ¥100
- MFH-70K ¥300
- MFH-90K ¥300

国際メカニカルフィルター (各 ¥4,950)	
電信用 MF-455-05K	電話用 MF-455-15K
SSB用 MF-455-10K	TR用メカフィル



好評発売中の

カツミ電機のエレ・キー

- EK-3S型 完成品 ¥3,500
- EK-9M型 完成品 ¥3,800

重量 幅 高さ 重量
140×90×40 630g